

AB11

<u>Virutex</u>			
50 Hill Street, #509			
Southampton, NY 11968			
Phone: 1-800-868-9663			
Fax: 631-537-2396			
		<u>Model: Ab11</u>	
			2005
<u>POS.</u>	<u>CODE</u>	<u>ITEM</u>	<u>List price</u>
1	1270042	PAN HD TAPPING SCREW 6X1 1/2 PH.BZ.	\$0.75
2	1372016	PAN HD. SCREW M. 4X6 PH.	\$0.75
,	1306028	GEAR COVER	\$36.00
4	1350013	GEAR ASS'Y	\$65.00
5	1323049	RETAINER	\$1.50
6	7510015	BALL BEARING 6201-ZZ	\$15.75
7	1323078	WASHER E=0,3	\$1.80
7	1323079	WASHER E=0,I	\$1.50
8	1324040	FELT PACKING	\$2.25
9	1488028	RETAINING RING D.3,3	\$0.75
10	1426034	SPRING	\$1.50
11	1402099	STOPPER CONTROL	\$4.05
12	6403030	REGULATION STOPPER GAGE	\$9.00
13	1416095	VIRUTEX LABEL	n-a
14	6407034	TILTABLE FRONT PART use #6446092 ass'y	n-a
15	6407033	MOVABLE FRONT PART use #6446092 ass'y	n-a
16	6477012	RIGHTSCREW	\$0.75
17	9502059	LEVER (use #7945185 & 7945184 for ass'y set)	\$3.75
18	1426051	SPRING	\$0.90
19	1422095	RIGHT NUT	\$4.20
20	6446092	FENCE ASS'Y (Assembled) (Including #13, 14, 15, 22)	\$28.00
21	6429028	RIGHT RING	\$1.50
22	6488051	SPRING PIN D.2X16	\$1.50
23	6407032	FIXED FRONT PART	\$22.00
24	6478002	SCREW M4X12PH	\$0.75
25	6404053	RUBBER	\$3.00
26	6477013	LEFT SCREW	\$0.75
27	6429013	LEFT RING	\$1.50
28	1422094	LEFT NUT	\$4.20
29	6407037	SLIDE (in future, use #6445324 Slide & Base set)	\$25.00
30	1420034	SPINDLE	\$23.00
31	1422086	BLADE HOLDER	\$14.25
32	3570025	PAN HD. TAPPING SCREW 8X7/8 PH.BZ.	\$0.75
33	AB-11B	BLADE (08IN/AB11)	\$55.00
34	1422087	BLADE FLANGE	\$15.75
35	6478001	SCREW M4X8PH	\$0.75
36	6407036	BASE (in future, use #6445324 Slide & Base set)	\$26.00
38	1426032	SPRING	\$2.25

AB11

39	6403028	END COVER	\$15.75
40	1324041	WASHER E=2,86	\$4.80
42	5451052	ARMATURE ASS'Y 220V use #5451055	n-a
42	5451054	ARMATURE ASS'Y 240V. use #5451055	n-a
42	5451055	ARMATURE ASS'Y 110/127V	\$68.00
43	6429011	STOPPER	\$4.95
44	1270047	PAN HD TAPPING SCREW 6X57 PH.B.	\$0.75
45	1204003	BEARING HOLDER	\$2.25
46	3581004	TOOTHED WASHER, "A" D.3	\$0.75
47	1202071	MOTOR HOUSING (BLUE)	\$19.00
49	1323077	WRENCH	\$5.70
50	1499032	OIL POT	n/a
51	1423086	WRENCH (to change the blade)	\$9.75
53	1499031	SCREW-DRIVER	n/a
54	1970001	PAN HD. TAPPING SCREW 8X1 /2 PH. B.	\$0.75
55	4302025	CORD CLAMP	\$1.50
56	1400051	CORD ASS'Y (AMERICA)	\$23.25
56	5400025	CORD ASS'Y (EUROPE) use #1400051	n-a
57	1203050	COVER	\$3.00
58	1215023	SWITCH use #6415027	n/a
58	6415027	SWITCH (110V)	\$25.00
59	1268033	TERMINAL	\$1.50
60	9168120	CAPACITOR	\$23.00
61	1202044	SWITCH HOLDER	\$7.20
62	8002043	CORDARMOR	\$3.75
63	1202075	END COVER (BLUE)	\$11.70
64	5434080	SWITCH PROTECTOR	\$1.50
65	1202076	TIE ROD	\$3.00
66	1288012	RETAINING RING WR-16	\$0.75
67	1203054	PUSH BUTTON PAWL	\$0.75
68	1202088	PUSH BUTTON	\$0.75
69	1426033	SPRING	\$0.90
70	4370046	PAN HD TAPPING SCREW 4X3/8 PH.B.	\$0.75
71	1217006	CARBON BRUSHES SET	\$9.75
72	1245033	BRUSH HOLDER	\$10.00
73	1402083	HANDLE	\$10.80
74	4383009	WASHER	\$0.75
75	1475027	HEX. SOCKET HD. CAP SCREW M. 10X16	\$1.35
76	1226013	BRUSH SPRING	\$4.50
77	2070007	PAN HD.TAPPING SCREW 6X7/8 PH.B.	\$0.75
78	5455050	STATOR ASS'Y 240 V. (use #5455051)	n-a
78	5455051	STATOR ASS'Y 110/127 V.	\$43.00
78	5455057	STATOR ASS'Y 220V. (use #5455051)	n-a
79	1202052	FAN GUIDE	\$4.80
80	1210019	BALL BEARING 607-Z	\$7.50
81	1333027	RETAINER	\$5.10
82	2310003	BALL BEARING 6002-ZZ	\$14.55
83	1322080	GEAR NUT	\$2.40
84	1383003	WASHER AETD.6,5	\$0.75

AB11

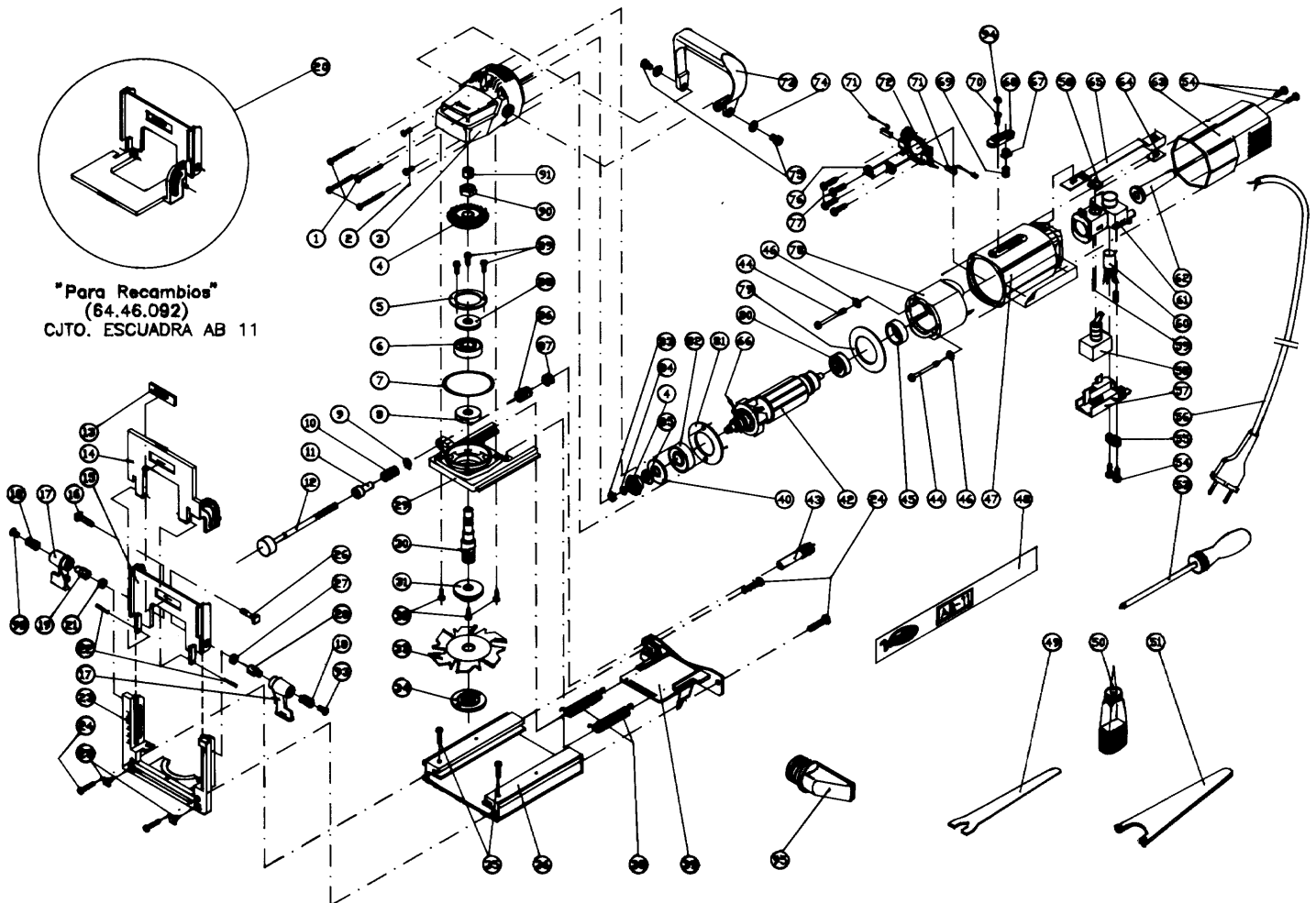
85	1380024	WASHER 8,2X19X0,2	\$0.75
86	1428029	NUT	\$4.20
87	1403055	WASHER	\$1.50
88	1324042	WASHER E=1,86	\$3.75
89	1370002	PAN HD. TAPPING SCREW 6X3/8 PH.BZ.	\$0.75
90	1322078	LOCK NUT	\$5.25
91	4011006	NEADLE BEARING HK 0810	\$9.00
92	6673010	RIGHT FLAT HD. SCREW M. 5X8 PH.	\$0.75
93	1473013	LEFTFLAT HD. SCREW M. 5X8 PH,	\$0.75
94	1203072	PUSH BUTTON COVER	\$0.75
95	6403029	DUST COLLECTION ATTACHMENT	\$12.00
	6446073	STANDARD VACUUM CONNECTOR	\$36.00
	5493001	CARRYING BOX	n-a
	6445324	SLIDE & BASE SET (including #29 & 36)	\$45.00
	7945184	RIGHT LEVER SET (including #16, 17, 18, 19, 21, 92)	\$12.00
	7945185	LEFT LEVER SET (including #17, 18, 26, 27, 28, 93)	\$12.00

Technical information
Explosion drawing and parts list

Jointing machine AB11 (Ref. 6400000)
Edition 920129A

Pos.	Code	Item	Pos.	Code	Item	Pos.	Code	Item
1	1270042	PAN HD. TAPPING SCREW 6X1 1/2 PH.BZ.	32	3570025	PAN HD. TAPPING SCREW 8X7/8 PH.BZ.	66	1288012	RETAINING RING WR-15
2	1372016	PAN HD. SCREW M. 4X6 PH.	33	1440080	BLADE (081N/AB11)	67	1203054	PUSH BUTTON PAWL
3	1306028	GEAR COVER	34	1422087	BLADE FLANGE	68	1202088	PUSH BUTTON
4	1350013	GEAR ASS'Y	35	6478001	SCREW M4X8PH	69	1426033	SPRING
5	1323049	RETAINER	36	6407036	BASE	70	4370046	PAN HD. TAPPING SCREW 4X3/8 PH.B.
6	7510015	BALL BEARING 6201-ZZ	38	1426032	SPRING	71	1217006	CARBON BRUSHES SET
7	1323078	WASHER E=0,2	39	6403028	END COVER	72	1245033	BRUSH HOLDER
7	1323079	WASHER E=0,1	40	1324041	WASHER E=2,85	73	1402083	HANDLE
8	1324040	FELT PACKING	42	5451052	ARMATURE ASS'Y 220 V.	74	4383009	WASHER
9	1488028	RETAINING RING D.3.2	42	5451054	ARMATURE ASS'Y 240 V.	75	1475027	HEX. SOCKET HD. CAP SCREW M. 10X15
10	1426034	SPRING	42	5451055	ARMATURE ASS'Y 110/127 V.	76	1226013	BRUSH SPRING
11	1402099	STOPPER CONTROL	43	6429011	STOPPER	77	2070007	PAN HD. TAPPING SCREW 6X7/8 PH.B.
12	6403030	REGULATION STOPPER GAGE	44	1270047	PAN HD. TAPPING SCREW 6X57 PH.B.	78	5455050	STATOR ASS'Y 240 V.
13	1416095	VIRUTEX LABEL	45	1204003	BEARING HOLDER	78	5455051	STATOR ASS'Y 110/127 V.
14	6407034	TILTABLE FRONT PART	46	3581004	TOOTHED WASHER «A» D.3	78	5455057	STATOR ASS'Y 220 V.
15	6407033	MOVABLE FRONT PART	47	1202071	MOTOR HOUSING (BLUE)	79	1202052	FAN GUIDE
16	6477012	RIGHT SCREW	49	1323077	WRENCH	80	1210019	BALL BEARING 607-Z
17	9502059	LEVER	50	1499032	OIL POT	81	1333027	RETAINER
18	1426051	SPRING	51	1423086	WRENCH	82	2310003	BALL BEARING 6002-ZZ
19	1422095	RIGHT NUT	53	1499031	SCREW-DRIVER	83	1322080	GEAR NUT
20	6446092	FENCE ASS'Y	54	1970001	PAN HD. TAPPING SCREW 8X1/2 PH.B.	84	1383003	WASHER AET D.6,4
21	6429028	RIGHT RING	55	4302025	CORD CLAMP	85	1380024	WASHER 8,2X19X0,1
22	6488051	SPRING PIN D.2X15	56	1400051	CORD ASS'Y (AMERICA)	86	1428029	NUT
23	6407032	FIXED FRONT PART	56	5400025	CORD ASS'Y (EUROPE)	87	1403055	WASHER
24	6478002	SCREW M4X12 PH	57	1203050	COVER	88	1324042	WASHER E=1,85
25	6404053	RUBBER	58	1215023	SWITCH	89	1370002	PAN HD. TAPPING SCREW 6X3/8 PH.BZ.
26	6477013	LEFT SCREW	58	6415027	SWITCH (110 V.)	90	1322078	LOCK NUT
27	6429013	LEFT RING	60	9168120	CAPACITOR	91	4011006	NEEDLE BEARING HK 0810
28	1422094	LEFT NUT	61	1202044	SWITCH HOLDER	92	6673010	FLAT HD. SCREW M. 5X8 PH.
29	6407037	SLIDE	62	8002043	CORD ARMOR	93	1473013	FLAT HD. SCREW M. 5X8 PH.
30	1420034	SPINDLE	63	1202075	END COVER (BLUE)	94	1203072	PUSH BUTTON COVER
31	1422086	BLADE HOLDER	64	5434080	SWITCH PROTECTOR	95	6403029	DUST COLLECTION ATTACHMENT
			65	1202076	TIE ROD	5493001		CARRYING BOX

EXPLOSION DRAWING



"Para Recambios"
(64.46.092)
CJTO. ESCUADRA AB 11