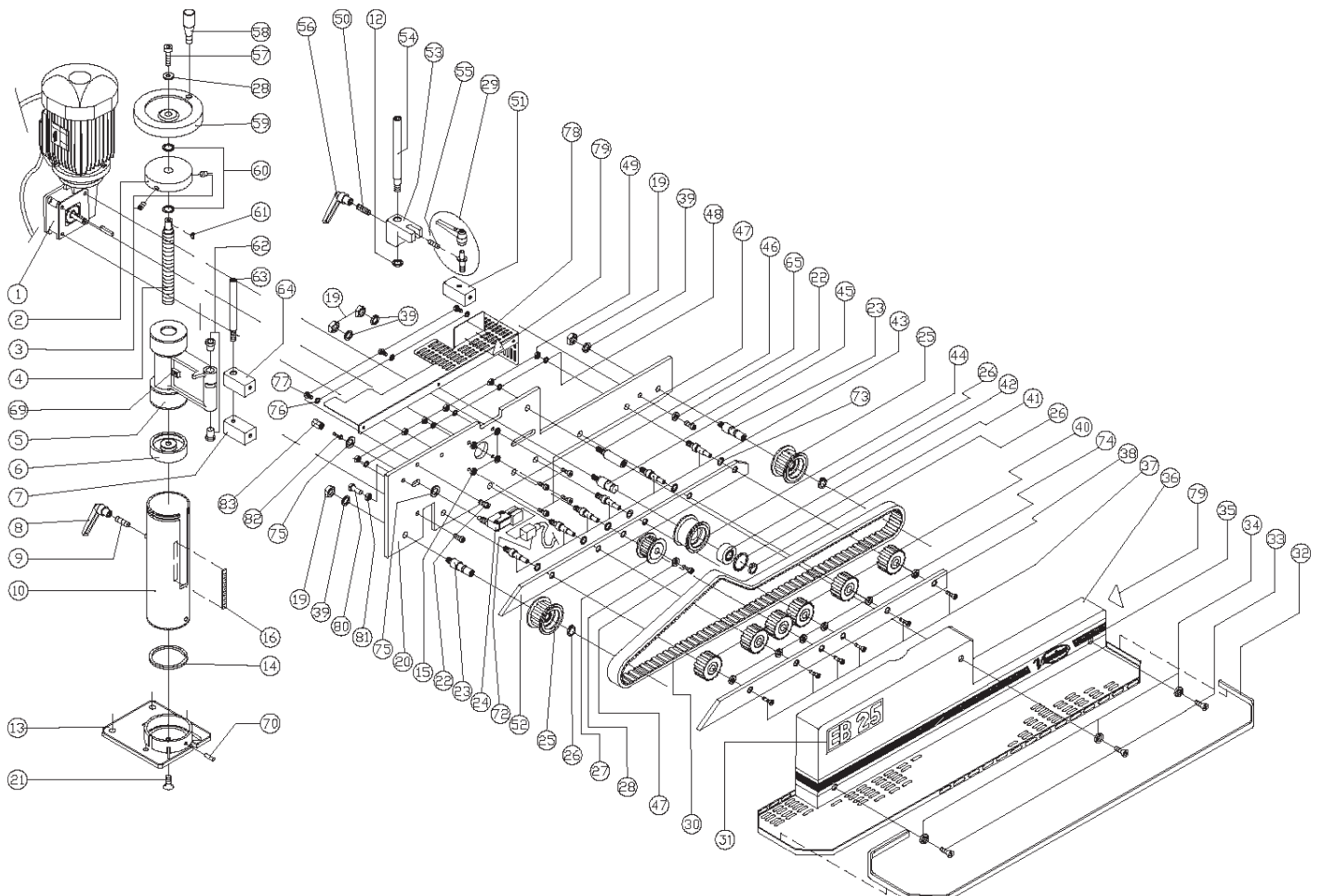


**Technical information**  
Explosion drawing and parts list

**Feeder AQ10 for EB25 (Ref. 6346036)**  
Edition 020610G0

Pos.	Code	Item	Pos.	Code	Item	Pos.	Code	Item
1	6369025	MOTOR ASS'Y	29	6346060	CONTACT FINGER ASS'Y	55	5575018	HEX. SOCKET SET SCREW M.6X20
2	6307027	GUIDE COVER	30	6387066	DRIVE BELT	56	6399060	CONTACT FINGER
3	6375052	HEX. SOCKET SET SCREW M.6X8	31	6319095	LABEL	57	1675035	HEX. SOCKET HD. CAP SCREW M. 6X10
4	6329088	REGULATION SPINDLE	32	6399064	PROTECTOR	58	6329097	CONTACT FINGER (WHEEL)
5	6307023	FEEDER SUPPORT	33	1573024	FLAT HD. SCREW M. 6X10	59	6307029	HAND WHEEL
6	6307024	GUIDE SUPPORT CLAMP	34	4427009	RETAINING WASHER	60	6380029	WASHER
7	8522361	LOWER SUPPORT	35	6319096	LABEL	61	2089017	WOODRUFF KEY
8	6399061	CONTACT FINGER	36	6346058	COVER/PROTECTOR ASS'Y	62	1612005	SELF LUBRICATED BEARING B-12X17X25/22X3
9	6375055	HEX. SOCKET SET SCREW M.8X45	37	1673016	HEX. SOCKET FLAT HD. SCREW M. 6X12	63	6329092	SHAFT
10	6346043	GUIDE SUPPORT ASS'Y	38	6306127	LATERAL GUIDE (EXTERNAL)	64	8522362	UPPER SUPPORT
12	3833085	WASHER	39	5080007	WASHER	65	4383008	WASHER AET D.8,4
13	6307022	FEEDER BASE	40	6387049	PULLEY WITH BEARING	69	6319098	LABEL
14	6388050	RETAINING RING D.72	41	6388049	RETAINING RING D.35	70	3588029	ROLL PIN 5X16
15	3883005	WASHER AET D.5,3	42	2710020	BALL BEARING 6003-ZZ	72	8546200	MICRO SWITCH CABLE
16	6319092	GAGE	43	6329082	PULLEY SHAFT	73	1683018	WASHER
16	6319093	GAGE (INCHES)	44	6387064	PULLEY	74	8580048	WASHER D.10,5x20x3
19	2585007	HEX. NUT M.10	45	6329087	PULLEY SHAFT	75	4480028	WASHER 20X12X1
20	8523389	FEEDER BASE PLATE	46	6329094	SPACER	76	1680026	WASHER
21	6375056	HEX. SOCKET HD. CAP SCREW M.10X40	47	6375053	HEX. SOCKET HD. CAP SCREW M.5X20	77	6478001	SCREW M4X8PH
22	2375001	HEX. SOCKET HD. CAP SCREW M. 8X15	48	1180003	WASHER	78	8523383	BACK PROTECTION
23	6329084	PULLEY SHAFT	49	1185003	HEX. NUT M.8	79	8519325	WARNING LABEL
24	8569040	MICROSWITCH	50	7275060	HEX. SOCKET SET SCREW M.6X35	80	4371005	HEX. HD. SCREW M. 5X30
25	6387063	PULLEY	51	8522360	SUPPORT	81	7085008	HEX. NUT M.5
26	6388048	RETAINING RING D.17	52	6306125	LATERAL GUIDE (INTERNAL)	82	8522355	PIN
27	6387062	MOTOR PULLEY	53	6307028	CLAMP	83	8522332	NUT
28	1580017	WASHER	54	6329093	CLAMP GUIDE			

**EXPLOSION DRAWING - 020606G**



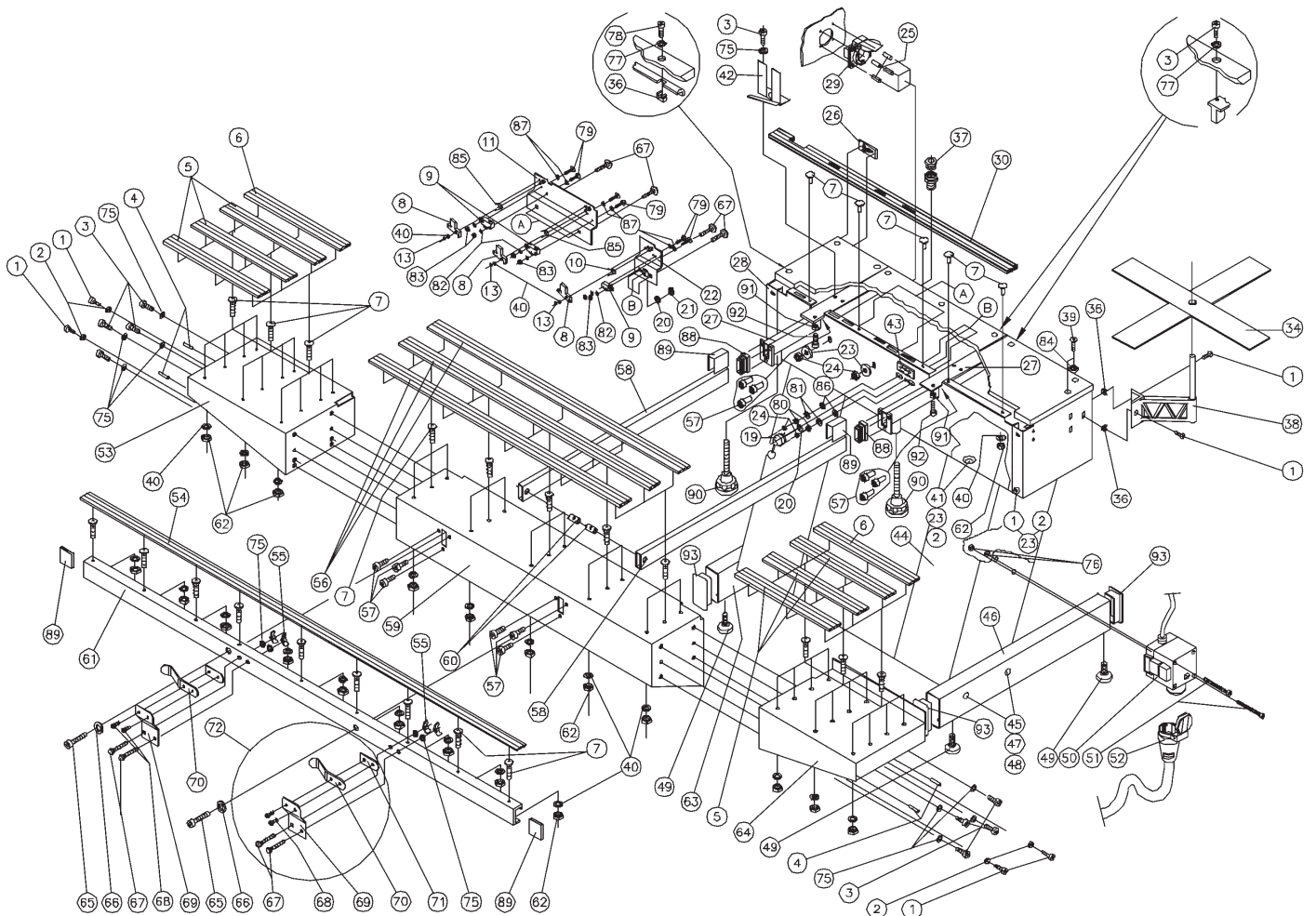


**Technical information**  
Explosion drawing and parts list

**Base ass'y EB25 (Ref. 6346046)**  
Edition 060704J00

Pos.	Code	Item	Pos.	Code	Item	Pos.	Code	Item
1	1675045	HEX. SOCKET HD. CAP SCREW M.6X15	38	1650069	LOADER HOLDER ASS'Y	66	3833085	WASHER D.8X25X3
2	2085002	HEX. NUT M.6	39	1673033	SCREW ALLEN M.6X25	67	3774011	CUP SQUARE NECK BOLT M.6X15
3	7575007	HEX. SOCKET HD. CAP SCREW M.6X20	40	2280004	WASHER D.5.2X11.1X0.7	68	6673010	FLAT HD. SCREW M.5X8 PH.
4	3588029	ROLL PIN D.5X16	41	1771024	HEX. HD. SCREW M.6X15	69	1623040	PRESSER HOLDER
5	6303099	FIXED GUIDE (C)	42	6346038	GUIDE	70	1623043	PRESSER SPRING
6	6303099	FIXED GUIDE (C)	43	1619013	WARNING LABEL	71	1623041	PRESSER CLAMP
7	9574001	CUP SQUARE NECK BOLT M.5X15	44	6346045	LOWER FURNITURE ASS'Y	72	1650033	PRESSER ASS'Y
8	3802012	MICROSWITCH LEVER	45	1185003	HEX. NUT M.8	75	4380012	WASHER D.6.4 DIN125
9	3869001	MICROSWITCH	46	8545739	BASE ASS'Y	76	2385005	HEX. NUT M.4
10	4426012	SPRING	47	1674004	CUP SQUARE NECK BOLT M.8X70	77	2033006	WASHER
11	4450142	MICROSWITCH HOLDER	48	4383008	WASHER AET D.8.4	78	7575008	HEX. SOCKET HD. CAP SCREW M.6X25
13	9588003	RETAINING RING D.4	49	1699036	LEVELLING SHOE M.10	79	8572032	SCREW M.3X20 PH
19	6346040	MICROSWITCH LEVER	50	6346063	MAIN SWITCH ASS'Y	80	8522353	BUSHING
20	3880008	WASHER D.12X20X0.5	51	2072018	PAN HD. SCREW M.4X45 PH.	81	6683015	BELLEVILLE WASHER D.10.2X20X0.8
21	1688015	RETAINING RING	52	6368032	PLUG	82	3580010	WASHER D.3.2 DIN125
22	6345242	MICROSWITCH REGULATING SUPPORT	53	6346056	LEFT EXTENSION ASS'Y	83	9085010	HEX. NUT M.3
23	1580017	WASHER D.6.2X21X2	54	6303078	PANEL PROTECTOR	84	4427009	RETAINING WASHER
24	1685017	SELF-LOCKING HEX. NUT M.6	55	7089007	WING NUT M-6	85	8526151	LEVER SPRING
25	1689023	RIVET D.3X6	56	6303097	TABLE HOLDER GUIDE	86	9580005	WASHER D.10.2X20X0.26
26	6319091	LABEL	57	1675035	HEX. SOCKET HD. CAP SCREW M.6X10	87	3581004	TOOTHED WASHER D.3
27	8545521	GUIDE ASS'Y	58	1628091	PANEL HOLDER ARM	88	8599212	COVER
28	6345516	SHEET METAL ASS'Y	59	6345518	TABLE ASS'Y	89	8519333	LABEL
29	4468072	SOCKET	60	3821046	ARM NUT	90	5025020	UPPER KNOB
30	6303116	MICROSWITCH GUIDE HOLDER (2V)	61	8523392	SUPPORT	91	2085002	HEX. NUT M.6
34	1650024	STRIP ROLL LOADER	62	7085008	HEX. NUT M.5	92	7575008	HEX. SOCKET HD. CAP SCREW M.6X25
36	1685016	SQUARE NUT ASS'Y M.6	63	8545739	BASE ASS'Y	93	8599265	COVER
37	8568206	CABLES HOLDER	64	6346055	RIGHT EXTENSION ASS'Y			
			65	9075003	HEX. SOCKET HD. CAP SCREW M.8X35			

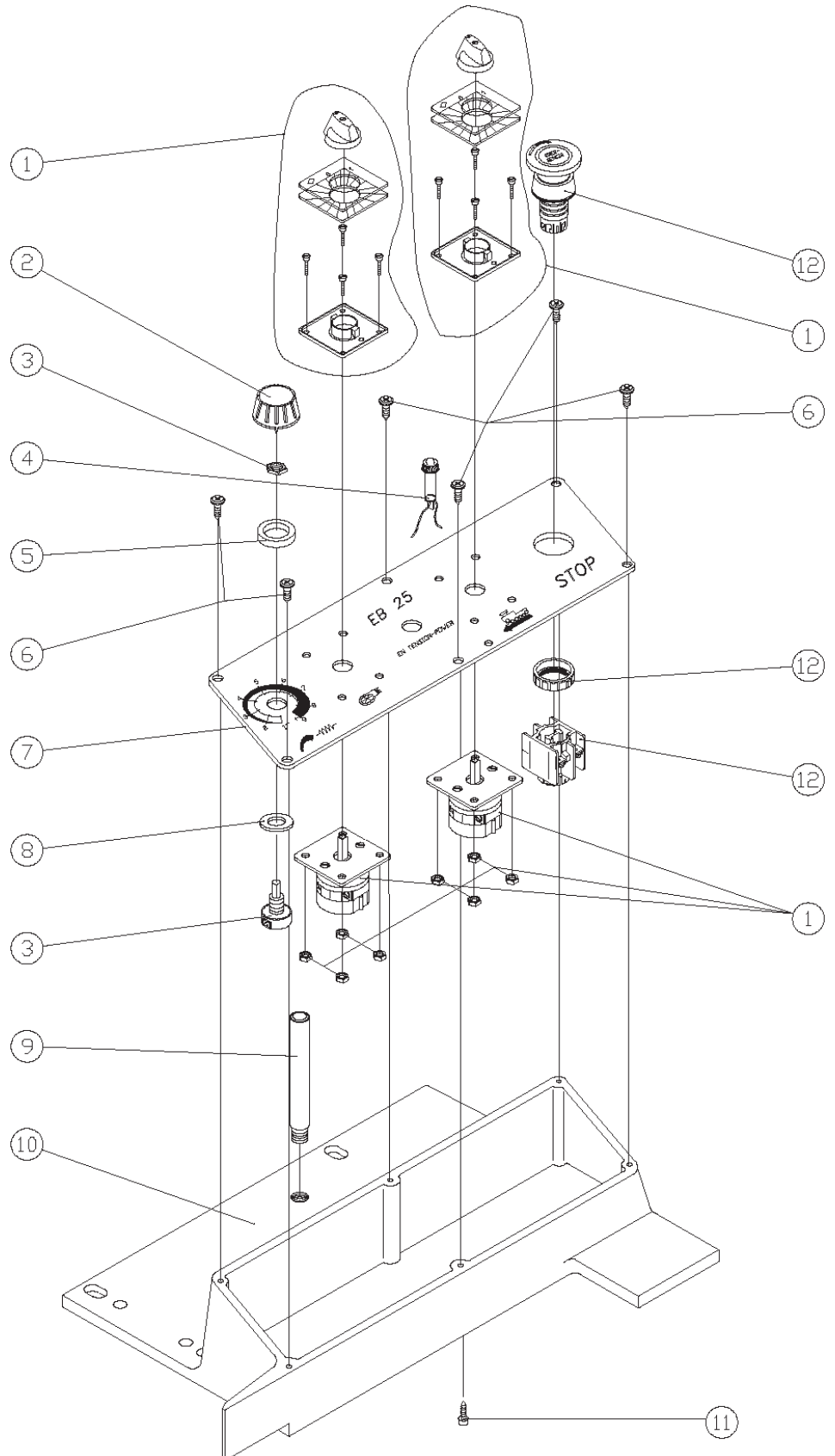
**EXPLOSION DRAWING - 060704J**



Pos. Code Item

EXPLOSION DRAWING - 960116B

- 1 6368031 SWITCH
- 2 1668067 POTENTIOMETER KNOB
- 3 6368184 POTENTIOMETER
- 4 6346061 ON/OFF LIGHT
- 5 1324040 FELT PACKING
- 6 1370002 PAN HD. TAPPING SCREW 6X3/8 PH.BZ.
- 7 6319086 LABEL
- 8 4480028 WASHER D.12.1X20X1
- 9 8521223 TAPE GUIDE
- 10 1606055 SWITCH BOARD BASE PLATE
- 11 9570012 PAN HD. TAPPING SCREW 8X3/8 PH.B.
- 12 6368061 EMERGENCY STOP PUSH BUTTON



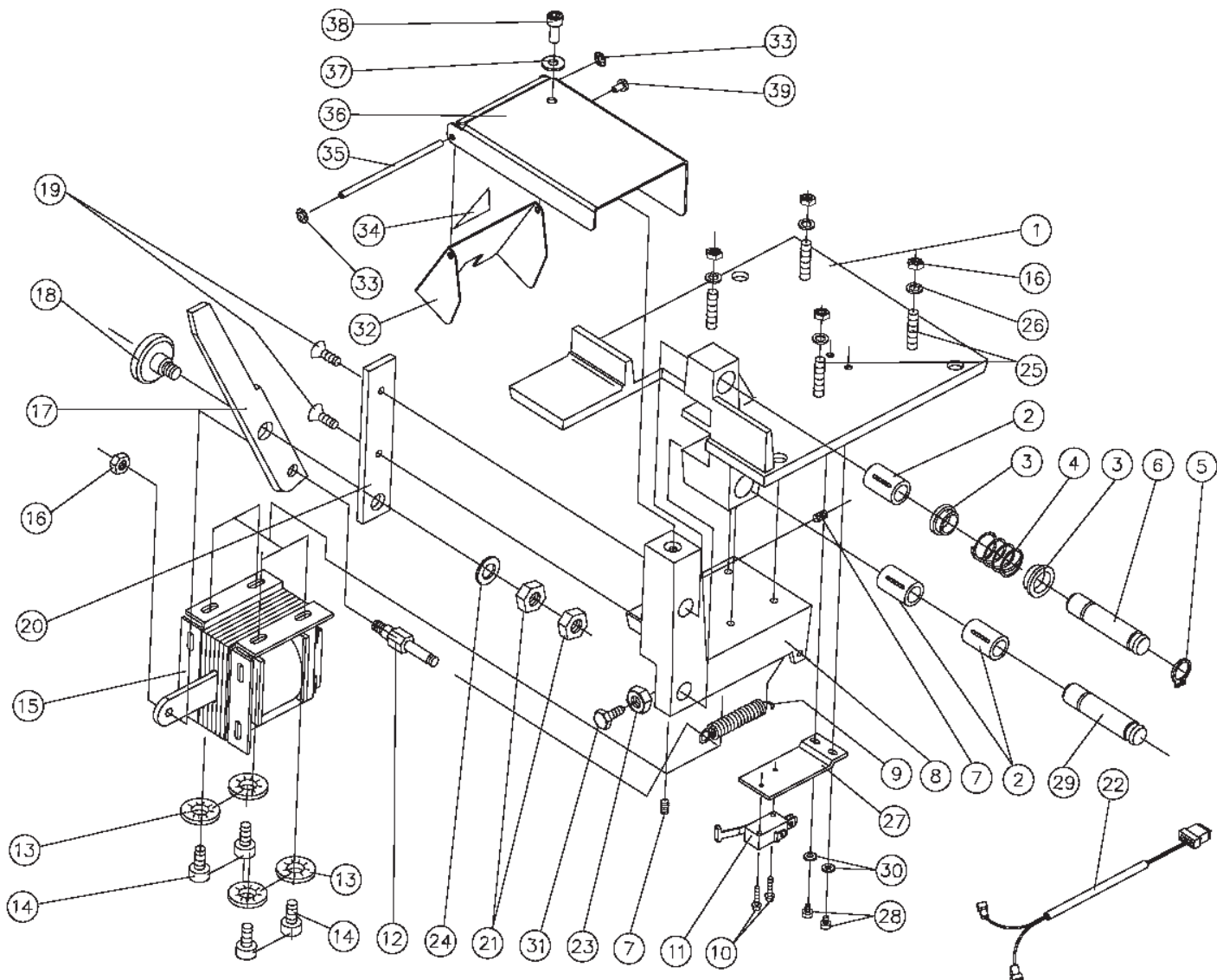


**Technical information**  
Explosion drawing and parts list

**Front trimming unit EB25 (Ref. 6346048)**  
Edition 040914C0

Pos.	Code	Item	Pos.	Code	Item	Pos.	Code	Item
1	6307031	FRONT TRIM UNIT BASE	16	3885004	SELF-LOCKING HEX. NUT M.8	30	1680026	WASHER D.4.3 DIN125
2	1610018	BUSHING KH 1228	17	6331016	MOVABLE BLADE	31	6371025	HEX HD. SCREW M.4X12
3	1628072	SPRING CAP	18	1628071	PIVOT SCREW	32	8523386	BLADE COVER PROTECTION
4	1626045	SPRING	19	1673018	HEX. SOCKET FLAT HD. SCREW M.6X20	33	5284002	ARANLOCK
5	1688015	RETAINING RING	20	1631005	FIXED BLADE	34	8519325	WARNING LABEL
6	1628089	GUIDE ROD	21	1322078	LOCK NUT	35	8522367	PROTECTOR SHAFT
7	1675031	HEX. SOCKET SET SCREW M.6X10	22	1650050	CORD ASS'Y FOR FRONT TRIMMING STATION	36	8523385	BLADE HOLDER PROTECTOR
8	6306356	MAGNET HOLDER	23	2385005	HEX. NUT M.4	37	8423195	WASHER D.6.3XD.15X1.5
9	1626042	SPRING	24	9580005	WASHER D.10.2X20X0.26	38	1675045	HEX. SOCKET HD. CAP SCREW M.6X15
10	3870033	PAN HD. TAPPING SCREW 4X5/8 PH.B.	25	4473021	FLAT HD. SCREW M.8X35	39	6478001	SCREW M.4X8 PH.
11	4445030	MICROSWITCH	26	2023036	WASHER			
12	1628074	BOLT	27	4434029	MICROSWITCH HOLDER			
13	8581014	WASHER D.6.1X14	28	1372016	PAN HD. SCREW M.4X6 PH.			
14	1675045	HEX. SOCKET HD. CAP SCREW M.6X15	29	4428042	GUIDE ROD			
15	1650049	MAGNET ASS'Y 220 V.						

**EXPLOSION DRAWING - 040915C**







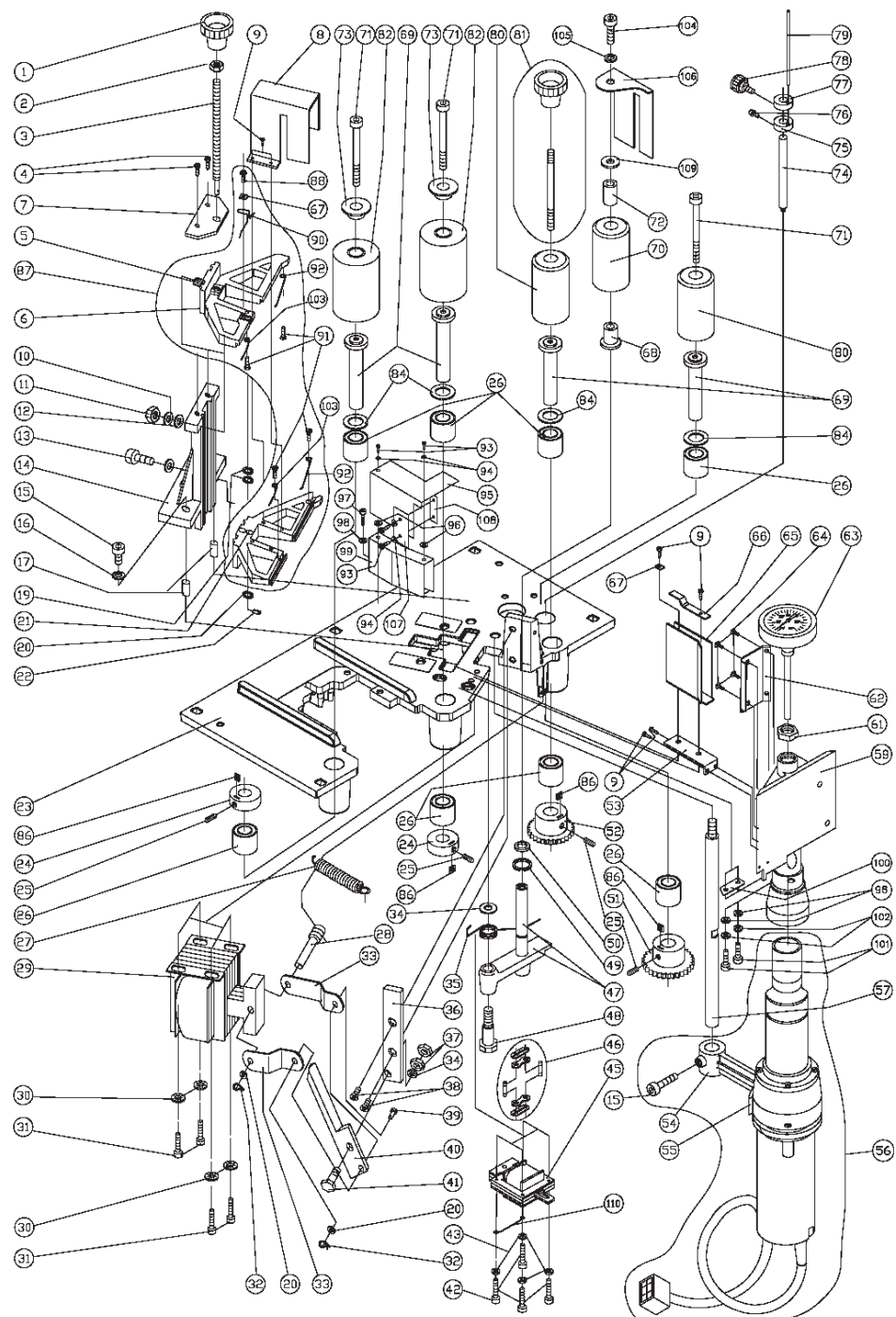
**Technical information**  
Explosion drawing and parts list

**Banding unit EB25 (Ref. 6346049)**  
Edition 041120H0

**EXPLOSION DRAWING - 041110H**

Pos.	Code	Item
1	6625024	KNOB
2	1185003	HEX. NUT M.8
3	1628069	REGULATING SHAFT
4	1970001	PAN HD. TAPPING SCREW 8X1/2 PH.B.
5	1675036	HEX. SOCKET SET SCREW M.8X30
6	8506212	UPPER GUIDE
7	4424028	REGULATING SHAFT GUIDE
8	8550133	BLADES PROTECTOR
9	2070004	PAN HD. TAPPING SCREW 6X1/4 PH.BZ
10	2023020	SPRING WASHER
11	3885004	SELF-LOCKING HEX. NUT M.8
12	2023036	WASHER
13	2375001	HEX. SOCKET HD. CAP SCREW M.8X15
14	4406081	GUIDES HOLDER
15	4875046	HEX. SOCKET HD CAP SCREW M.8X25
16	1180003	WASHER D.8.4 DIN125
17	1627002	CENTERING COLLAR
19	1683004	DISC SPRING D.6.2
20	2080002	WASHER D.6.4X12.2X0.8
21	8506211	LOWER GUIDE
22	1688030	SPRING PIN D.2X10
23	6306010	MIDDLE BASE PLATE
24	6303030	RING
25	6375058	HEX. SOCKET SET SCREW M.5X10
26	6311011	NEEDLE BEARING HK1512
27	1626042	SPRING
28	1628055	ROLL PIN D.6
29	4445079	MAGNET
30	8581014	WASHER D.6.1X14
31	1675045	HEX. SOCKET HD. CAP SCREW M.6X15
32	8588125	PIN D.1.75
33	1633053	MAGNET LEVER
34	9580005	WASHER D.10.2X20X0.26
35	6326052	SPRING
36	1631001	FIXED BLADE
37	1322078	LOCK NUT
38	1673016	HEX. SOCKET FLAT HD. SCREW M.6X12
39	1628077	ROLL PIN D.6
40	1631002	MOVABLE BLADE
41	1628054	PIVOT SCREW
42	1675032	HEX. SOCKET HD. CAP SCREW M.4X20
43	3883002	WASHER AET D.4.3
45	4445070	MAGNET
46	1687047	CHAIN COUPLER 1/2
47	6346059	ARM SUPPORT ASS'Y
48	1628053	PIVOT SCREW
49	1688015	RETAINING RING
50	4480028	WASHER D.12.1X20X1
51	6387067	SPROCKET
52	6387068	GEAR
53	1633008	FAN GUIDE HOLDER
54	1606057	HEATER HOLDER
55	1673019	HEX. SOCKET FLAT HD. SCREW M.4X15
56	6345586	HEATER UNIT ASS'Y
57	1628075	GUIDE ROD
59	1606213	PIPE
61	4428047	NUT 1/4"
62	8533111	DISTRIBUTOR
63	1668048	THERMOMETER
63	3868018	THERMOMETER (F)
64	4370046	PAN HD. TAPPING SCREW 4X3/8 PH.B.
65	8533118	FAN OUTLET
66	8533119	DEFLECTOR
67	1633042	WASHER
68	1612005	SELF LUBRICATED BEARING B-12X17X25/22X3
69	1628050	ROLLER SHAFT
70	1604022	RUBBER INFEEED ROLLER
71	1675030	HEX. SOCKET HD. CAP SCREW M.8X80
72	1612004	SELF LUBRICATED BEARING A-12X17X25
73	1628051	COVER
74	8521223	TAPE GUIDE
75	1621011	LOWER RING
76	1672008	PAN HD. SCREW M.4X10 PH.
77	1621008	UPPER RING
78	1025101	KNOB M 6X17 mm (CP)
79	1621015	GUIDE ROD
80	1628049	KNURLED ROLLER
81	1625041	KNOB
82	1604023	RUBBER FENCE ROLLER
84	6380029	WASHER D.16.2X24X0.5
86	5285011	NUT M.5
87	8545247	STRIP GUIDE SET
88	6478002	SCREW M.4X12 PH.
90	8526096	SPRING
91	7278014	SCREW M.4X8
92	8526095	SPRING
93	9570012	PAN HD. TAPPING SCREW 8X3/8 PH.B.
94	1680026	WASHER D.4.3 DIN125
95	8546223	AIR OUTLET PROTECTOR
96	8533112	WASHER

Pos.	Code	Item
97	7575008	HEX. SOCKET HD. CAP SCREW M.6X25
98	1580017	WASHER D.6.2X21X2
99	8533115	OUTLET EXTENSION
100	8523203	INSULANT
101	7575007	HEX. SOCKET HD. CAP SCREW M.6X20
102	8481013	WASHER
103	8526102	SPRING
104	1675034	HEX. SOCKET HD. CAP SCREW M.8X20
105	7280036	WASHER D.8.2XD.19.9X1
106	8523290	ROLLER PROTECTION
107	8523321	SCRAPPER
108	8523353	GUIDE
109	3833085	WASHER D.8X25X3
110	4426039	MAGNET SPRING
	4468088	TRIAC
	4468098	BRUSH HOLDER
	4469023	HEATER UNIT MOTOR ASS'Y
	6368185	ELECTRONIC CIRCUIT



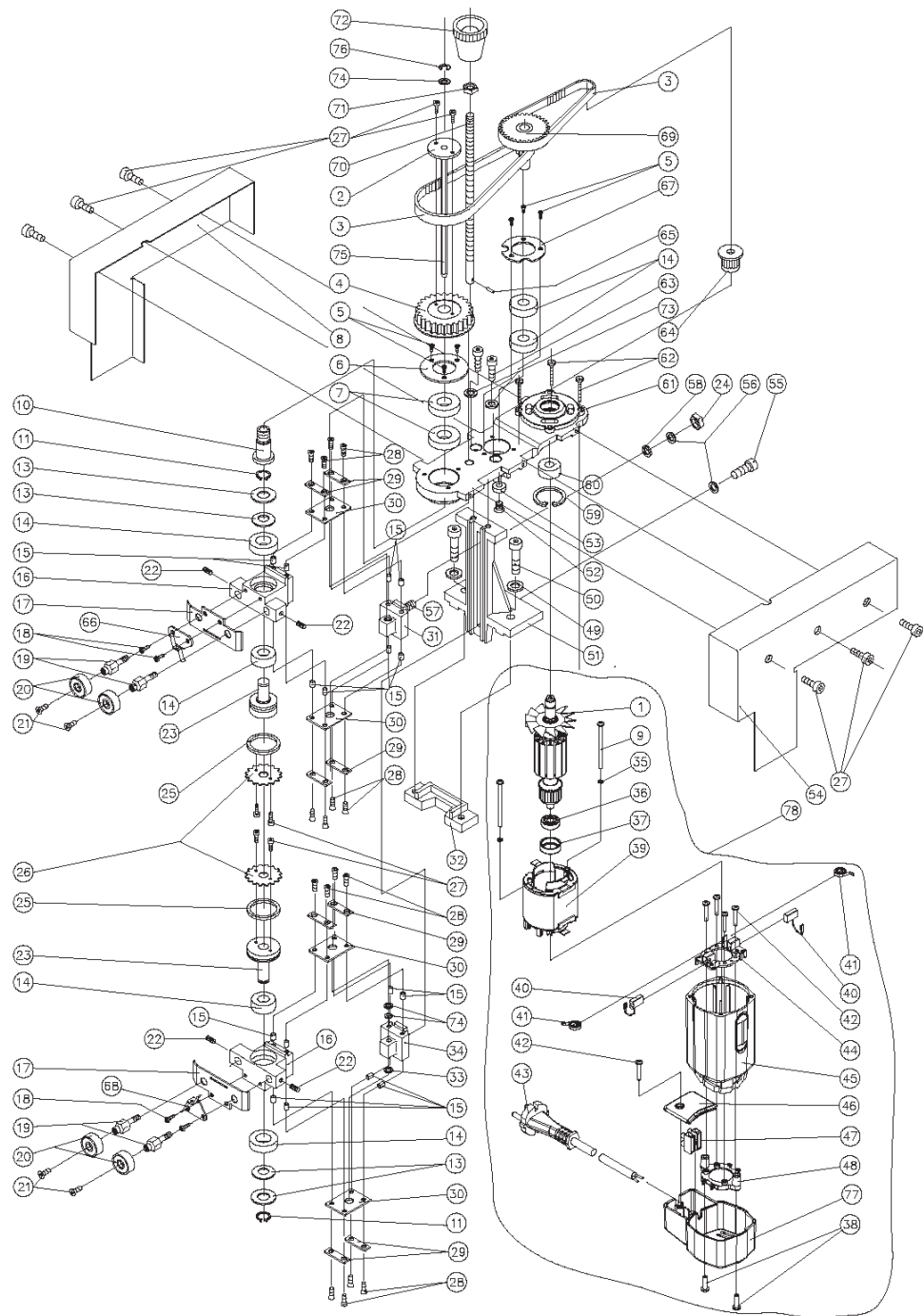


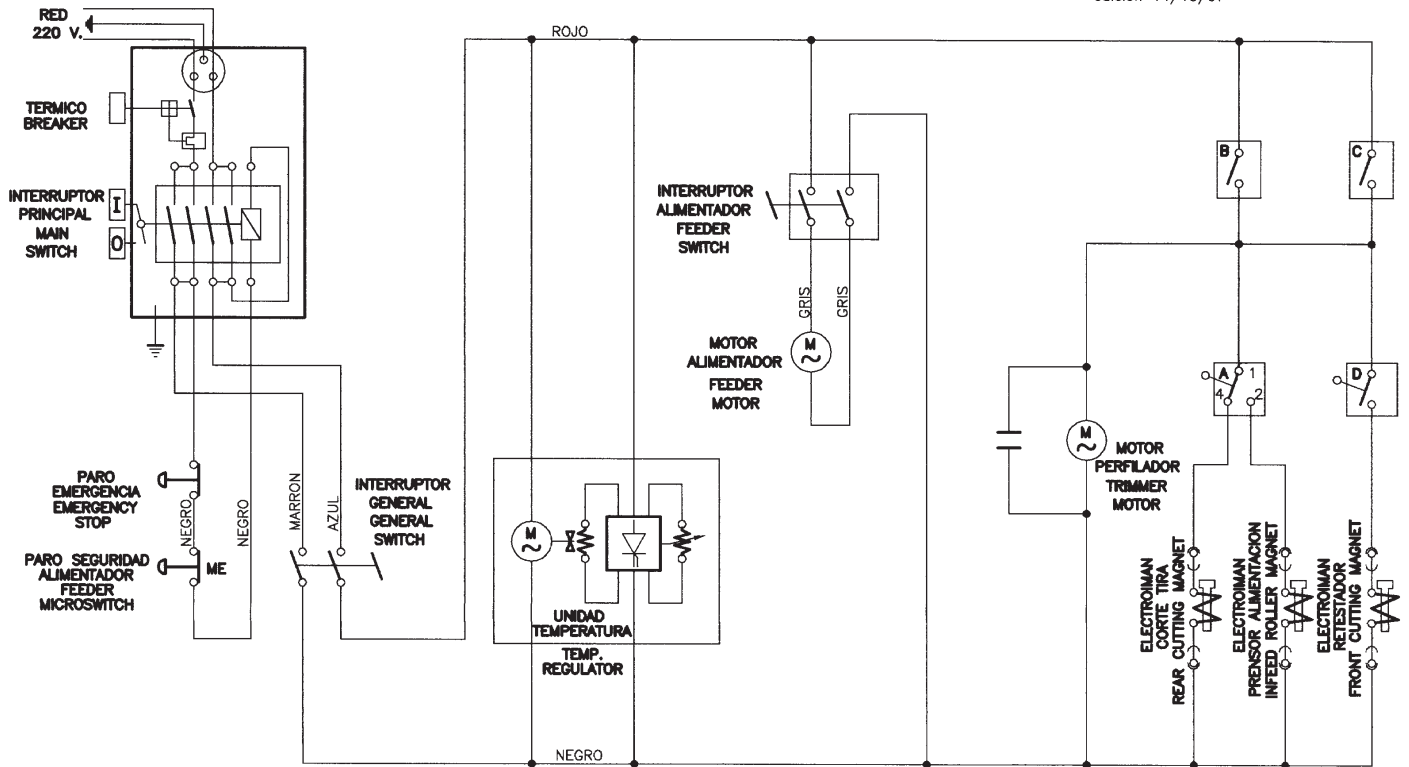
**Technical information**  
Explosion drawing and parts list

**Trimming unit AK97N for EB15-2, EB25 (Ref. 6345544)**  
Edition 030729A0

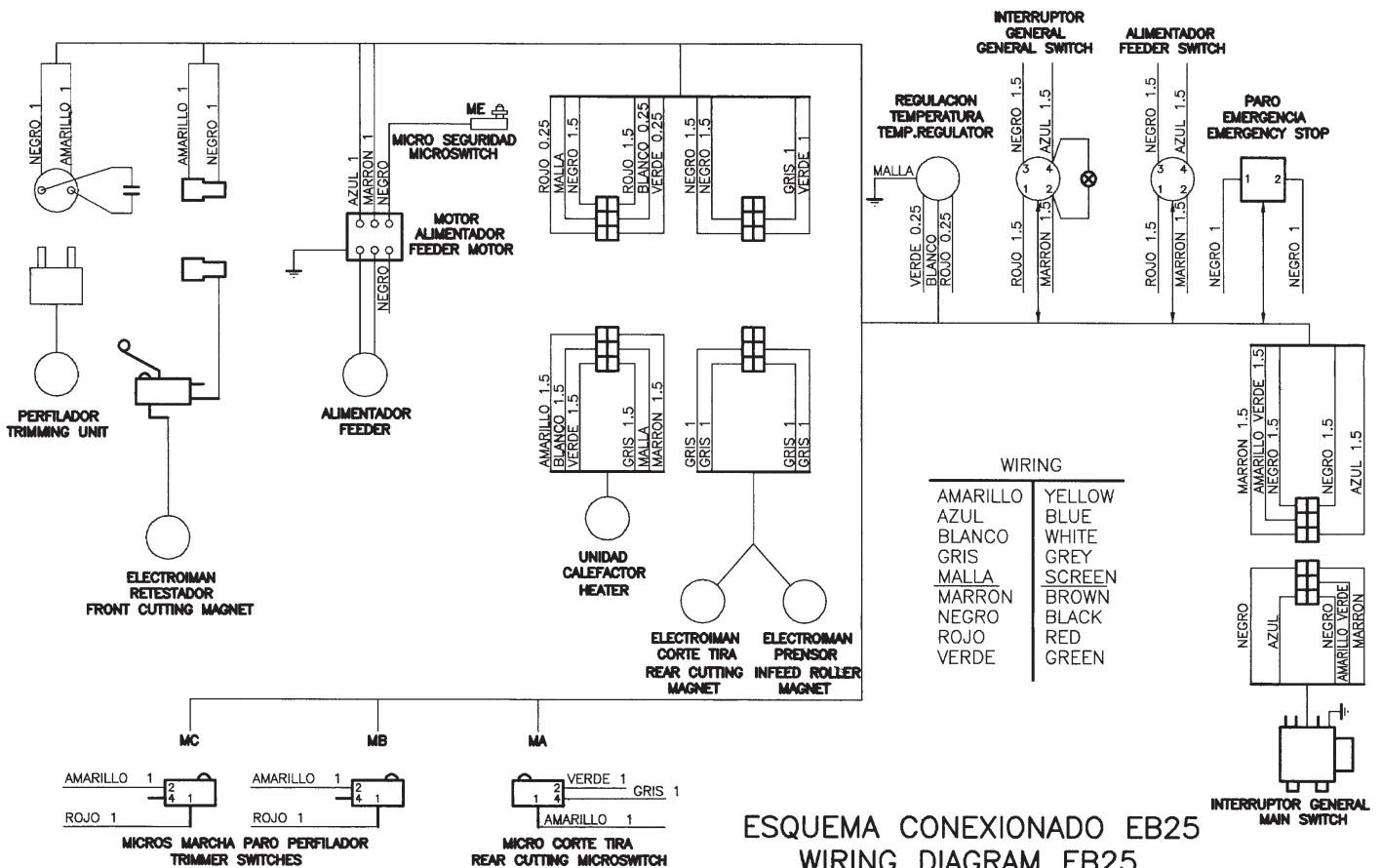
Pos.	Code	Item	Pos.	Code	Item	Pos.	Code	Item
1	6351158	ARMATURE ASS'Y (230 V.)	71	1185003	HEX. NUT M.8	76	7288052	O-RING D.6
2	4424049	DISC	72	6625024	KNOB	77	8502426	MOTOR COVER
3	4487056	BELT	73	1383003	WASHER AET D.6.4	78	6345546	MOTOR ASS'Y AK97N
4	4487024	PULLEY	74	1683004	DISC SPRING D.6.2	4494077	CARTON PACKING	
5	1370002	PAN HD. TAPPING SCREW 6X3/8 PH.BZ	75	4429071	ROD	6346187	BEARINGS CLEANER KIT	
6	1233029	RETAINER						
7	2310003	BALL BEARING 6002-ZZ						
8	4424061	LEFT COVER						
9	1270047	PAN HD. TAPPING SCREW 6X57 PH.B						
10	4420047	SHAFT						
11	1688015	RETAINING RING						
13	4483006	DISC SPRING						
14	4010005	BALL BEARING 6001 2RS						
15	1688035	CENTERING COLLAR						
16	4406093	BLADE HOLDER CASTING						
17	4424057	BLADE GUARD						
18	6478001	SCREW M.4X8 PH.						
19	4427036	ECCENTRIC SPACER						
20	4410021	BALL BEARING 629-ZZ						
21	4475024	HEX. SOCKET FLAT HD. SCREW M.5X10						
22	4475051	HEX. SOCKET SET SCREW M.5X8						
23	4420046	BLADE HOLDER SHAFT						
24	3885004	SELF-LOCKING HEX. NUT M.8						
25	4404015	O-RING						
26	4430076	SET 2 CIRCULAR BLADES						
27	8575010	HEX. SOCKET HD. CAP SCREW M.4X8						
28	4475044	HEX. SOCKET HD. CAP SCREW M.4X15						
29	1633044	CLAMP BAR						
30	1626041	SPRING						
31	4406089	UPPER SLIDE						
32	4406091	HOLDDOWN BRACKET						
33	2080002	WASHER D.6.4X12.2X0.8						
34	4406090	LOWER SLIDE						
35	3581004	TOOTHED WASHER D.3						
36	1210019	BALL BEARING 607 Z						
37	1204003	BEARING HOLDER						
38	3070036	PAN HD. TAPPING SCREW 8X5/8 PH. BZ						
39	6355156	STATOR ASS'Y (230 V.)						
40	7917010	CARBON BRUSHES SET						
41	1226013	BRUSH SPRING						
42	2070007	PAN HD. TAPPING SCREW 6X7/8 PH.BZ						
43	4445006	CORD ASS'Y						
44	7945034	BRUSH HOLDER ASS'Y						
45	8545466	MOTOR HOUSING						
46	8502427	COVER						
47	4368022	PILLAR TERMINAL						
48	8502428	SUPPORT						
49	1180003	WASHER D.8.4 DIN125						
50	9075003	HEX. SOCKET HD. CAP SCREW M.8X35						
51	4406092	SLIDES HOLDER						
52	3873004	FLAT HD. SCREW M.6X15						
53	4427009	RETAINING WASHER						
54	4424058	RIGHT COVER						
55	2375001	HEX. SOCKET HD. CAP SCREW M.8X15						
56	2023036	WASHER						
57	1675036	HEX. SOCKET SET SCREW M.8X30						
58	2023020	SPRING WASHER						
59	4488022	RETAINING RING						
60	3510010	BALL BEARING 6000-ZZ						
61	4406094	BASE PLATE						
62	3570026	PAN HD. TAPPING SCREW 6X1 1/4 PH.B.						
63	7575008	HEX. SOCKET HD. CAP SCREW M.6X25						
64	4487030	PULLEY						
65	1688030	SPRING PIN D.2X10						
66	6346163	UPPER CLEANER						
67	4433091	RETAINER						
68	6346164	LOWER CLEANER						
69	6346224	PULLEY ASS'Y						
70	4427035	REGULATING SHAFT						

**EXPLOSION DRAWING - 030729A**





ESQUEMA ELECTRICO EB25  
ELECTRICAL DIAGRAM EB25



ESQUEMA CONEXIONADO EB25  
WIRING DIAGRAM EB25