

# EDGEBANDER

# **EB35**

EXPLOSION DRAWING AND PARTS LIST:

**Front trimming unit EB35 (Ref. 8545440)**

**Feeder for EB35 (Ref. 8545438)**

**Base ass'y EB35 (Ref. 8545651)**

**Base ass'y EB35 (Ref. 8545652)**

**Switch board EB35 (Ref. 8545441)**

**Banding unit EB35 (Ref. 8545442)**

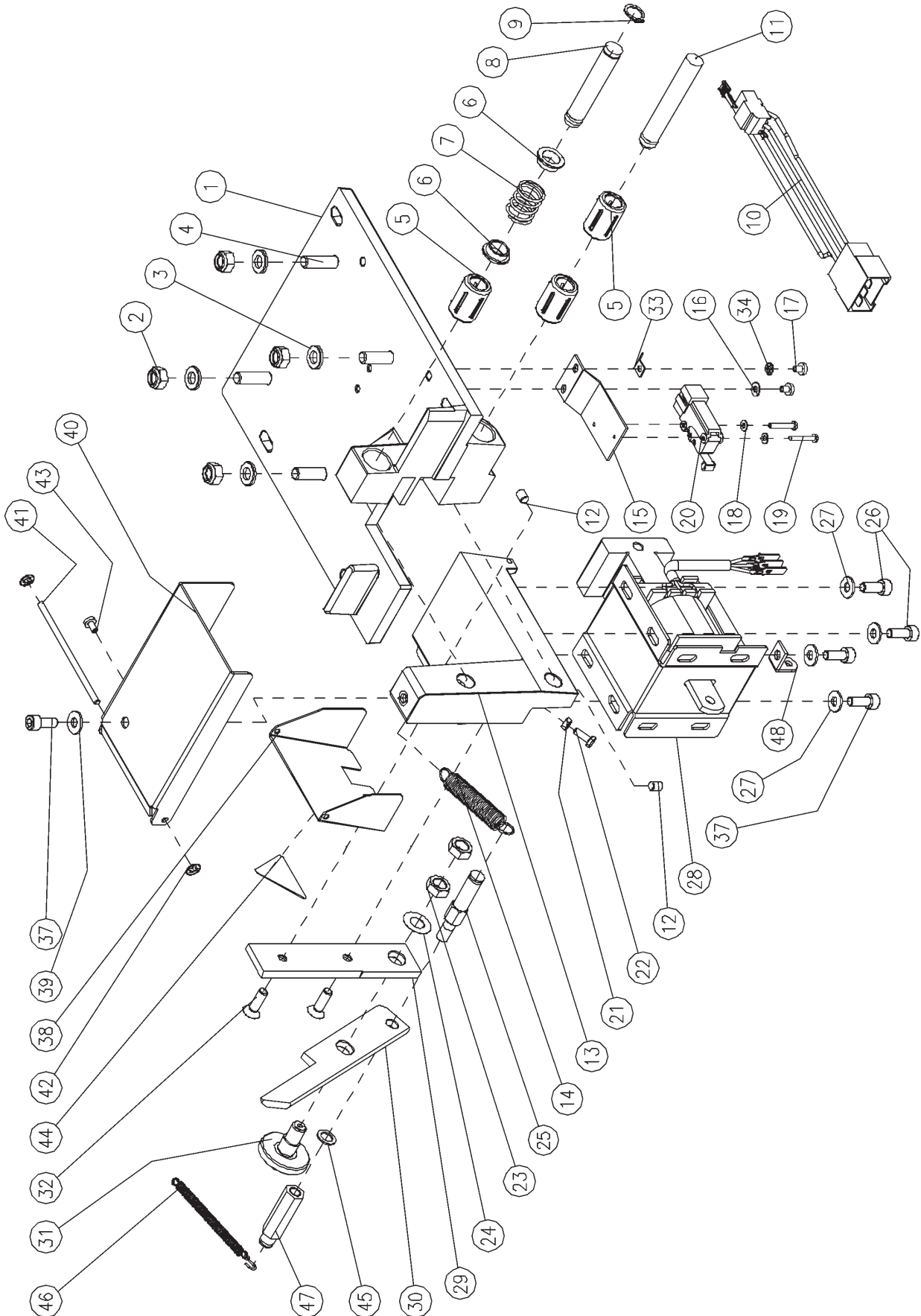
**Trimming unit PE85L (Ref. 8545390)**

**Electrical diagram EB30-EB35**



---

MÁQUINAS Y HERRAMIENTAS PARA LA MADERA

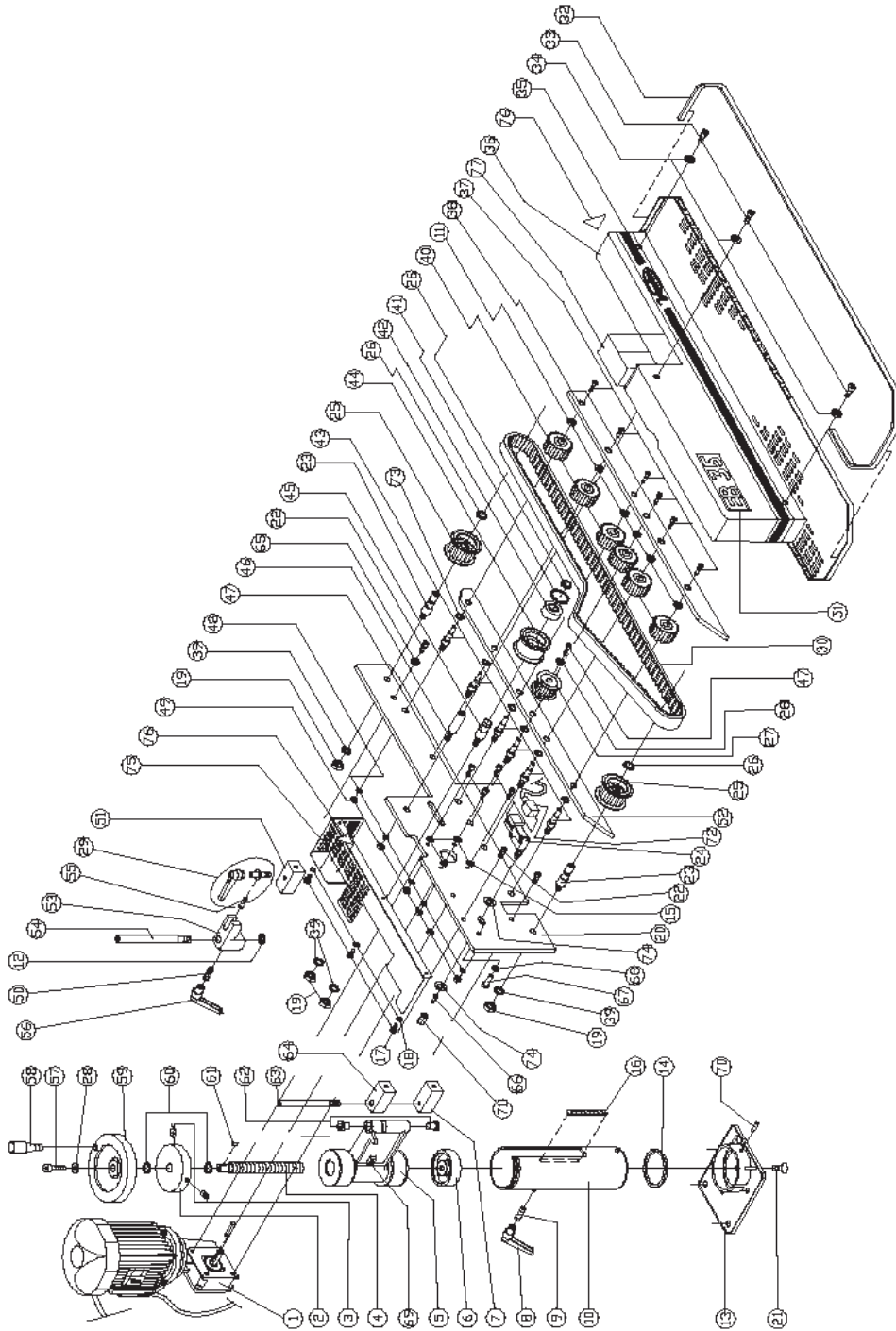




**Technical information**  
Explosion drawing and parts list

**Front trimming unit EB35 (Ref. 8545440)**  
Edition 061103E0

Pos.	Code	Item
1	6307031	FRONT TRIM UNIT BASE
2	3885004	SELF-LOCKING HEX. NUT M.8
3	2023036	WASHER
4	4473021	FLAT HD. SCREW M.8X35
5	1610018	BUSHING KH 1228
6	1628072	SPRING CAP
7	1626045	SPRING
8	1628089	GUIDE ROD
9	1688015	RETAINING RING
10	8545445	CORD ASS'Y
11	4428042	GUIDE ROD
12	1675031	HEX. SOCKET SET SCREW M.6X10
13	8506355	MAGNET HOLDER
14	1626042	SPRING
15	4434029	MICROSWITCH HOLDER
16	1680026	WASHER D.4.3 DIN125
17	1372016	PAN HD. SCREW M.4X6 PH.
18	3580010	WASHER D.3.2 DIN125
19	8570056	SCREW 4X3/4 PH. B.
20	8546219	MICROSWITCH
21	2385005	HEX. NUT M.4
22	6371025	HEX HD. SCREW M.4X12
23	1322078	LOCK NUT
24	9580005	WASHER D.10.2X20X0.26
25	1628074	BOLT
26	1675045	HEX. SOCKET HD. CAP SCREW M.6X15
27	8581014	WASHER D.6.1X14
28	8545463	MAGNET
29	1631005	FIXED BLADE
30	8531089	MOVABLE BLADE
31	1628071	PIVOT SCREW
32	1673018	HEX. SOCKET FLAT HD. SCREW M.6X20
33	8568216	TERMINAL
34	1981001	TOOTHED WASHER D.4.3
37	1675045	HEX. SOCKET HD. CAP SCREW M.6X15
38	8523386	BLADE COVER PROTECTION
39	8423195	WASHER D.6.3XD.15X1.5
40	8523385	BLADE HOLDER PROTECTOR
41	8522367	PROTECTOR SHAFT
42	5284002	ARANLOCK
43	6478001	SCREW M.4X8 PH.
44	8519325	WARNING LABEL
45	4383008	WASHER AET D.8.4
46	7026007	SPRING
47	8521425	PIVOT SCREW
48	8523566	SPRING SUPPORT

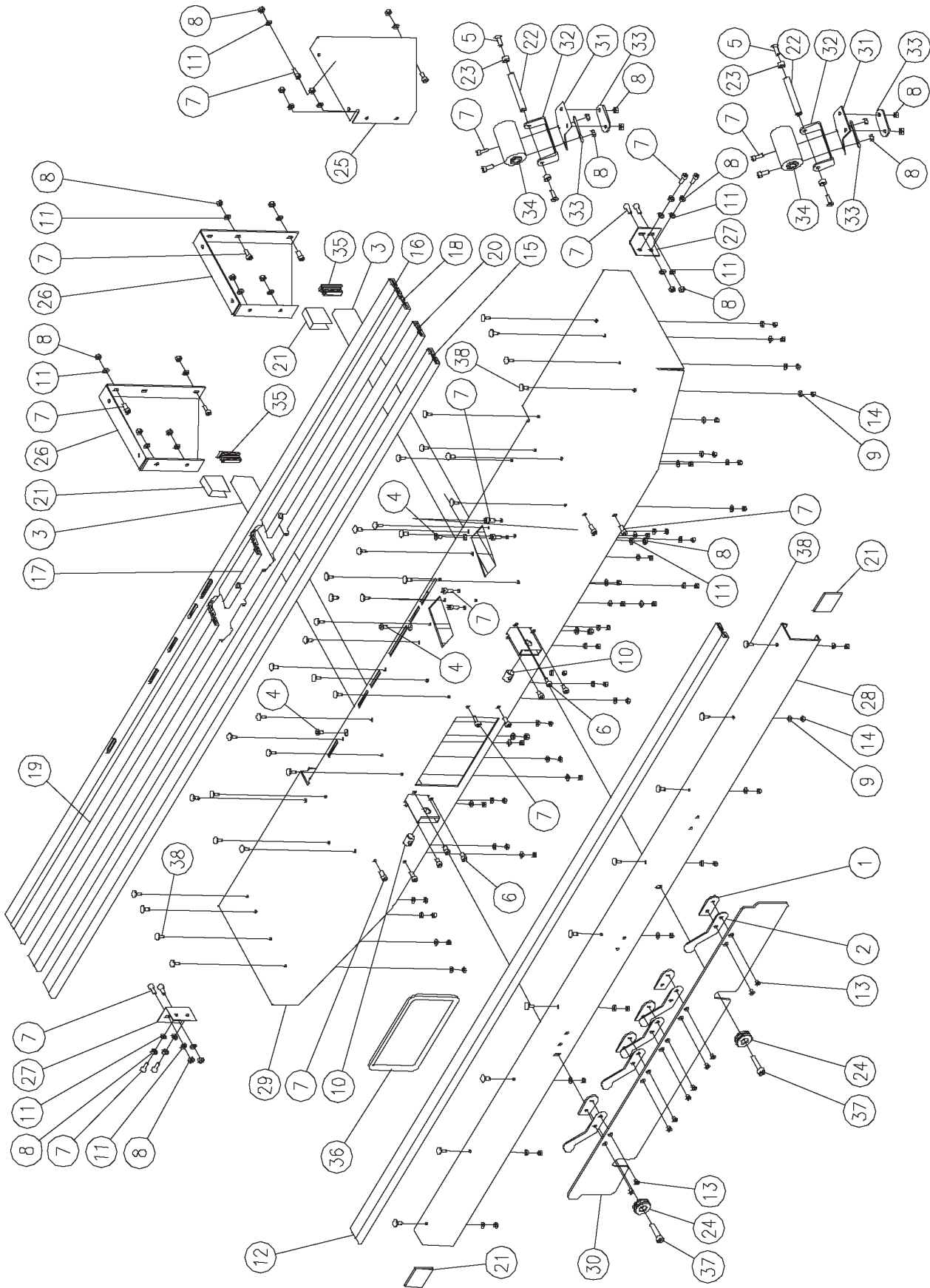




**Technical information**  
Explosion drawing and parts list

**Feeder for EB35 (Ref. 8545438)**  
Edition 020705A0

Pos.	Code	Item	Pos.	Code	Item
1	6369025	MOTOR ASS'Y	62	1612005	SELF LUBRICATED BEARING
2	6307027	GUIDE COVER			B-12X17X25/22X3
3	6375052	HEX. SOCKET SET SCREW M.6X8	63	6329092	SHAFT
4	6329088	REGULATION SPINDLE	64	8522362	UPPER SUPPORT
5	6307023	FEEDER SUPPORT	65	4383008	WASHER AET D.8,4
6	6307024	GUIDE SUPPORT CLAMP	66	8522355	PIN
7	8522361	LOWER SUPPORT	67	4371005	HEX. HD. SCREW M. 5X30
8	6399061	CONTACT FINGER	68	7085008	HEX. NUT M.5
9	6375055	HEX. SOCKET SET SCREW M.8X45	69	6319098	LABEL
10	6346043	GUIDE SUPPORT ASS'Y	70	3588029	ROLL PIN 5X16
11	8580048	WASHER D.10,5x20x3	71	8522332	NUT
12	3833085	WASHER	72	8546200	MICRO SWITCH CABLE
13	6307022	FEEDER BASE	73	1683018	WASHER
14	6388050	RETAINING RING D.72	74	4480028	WASHER 20X12X1
15	3883005	WASHER AET D.5,3	75	8523383	BACK PROTECTION
16	6319092	GAGE	76	8519325	WARNING LABEL
16	6319093	GAGE (INCHES)	77	8519326	LABEL
17	6478001	SCREW M4X8PH			
18	1680026	WASHER			
19	2585007	HEX. NUT M.10			
20	8523389	FEEDER BASE PLATE			
21	6375056	HEX. SOCKET HD. CAP SCREW M.10X40			
22	2375001	HEX. SOCKET HD. CAP SCREW M. 8X15			
23	6329084	PULLEY SHAFT			
24	8569040	MICROSWITCH			
25	6387063	PULLEY			
26	6388048	RETAINING RING D.17			
27	8587086	MOTOR GEAR			
28	1580017	WASHER			
29	6346060	CONTACT FINGER ASS'Y			
30	6387066	DRIVE BELT			
31	8519297	LABEL			
32	6399064	PROTECTOR			
33	1573024	FLAT HD. SCREW M. 6X10			
34	4427009	RETAINING WASHER			
35	6319096	LABEL			
36	6346058	COVER/PROTECTOR ASS'Y			
37	1673016	HEX. SOCKET FLAT HD. SCREW M. 6X12			
38	6306127	LATERAL GUIDE (EXTERNAL)			
39	5080007	WASHER			
40	6387049	PULLEY WITH BEARING			
41	6388049	RETAINING RING D.35			
42	2710020	BALL BEARING 6003-ZZ			
43	6329082	PULLEY SHAFT			
44	6387064	PULLEY			
45	6329087	PULLEY SHAFT			
46	6329094	SPACER			
47	6375053	HEX. SOCKET HD. CAP SCREW M.5X20			
48	1180003	WASHER			
49	1185003	HEX. NUT M.8			
50	7275060	HEX. SOCKET SET SCREW M.6X35			
51	8522360	SUPPORT			
52	6306125	LATERAL GUIDE (INTERNAL)			
53	6307028	CLAMP			
54	6329093	CLAMP GUIDE			
55	5575018	HEX. SOCKET SET SCREW M.6X20			
56	6399060	CONTACT FINGER			
57	1675035	HEX. SOCKET HD. CAP SCREW M. 6X10			
58	6329097	CONTACT FINGER (WHEEL)			
59	6307029	HAND WHEEL			
60	6380029	WASHER			
61	2089017	WOODRUFF KEY			

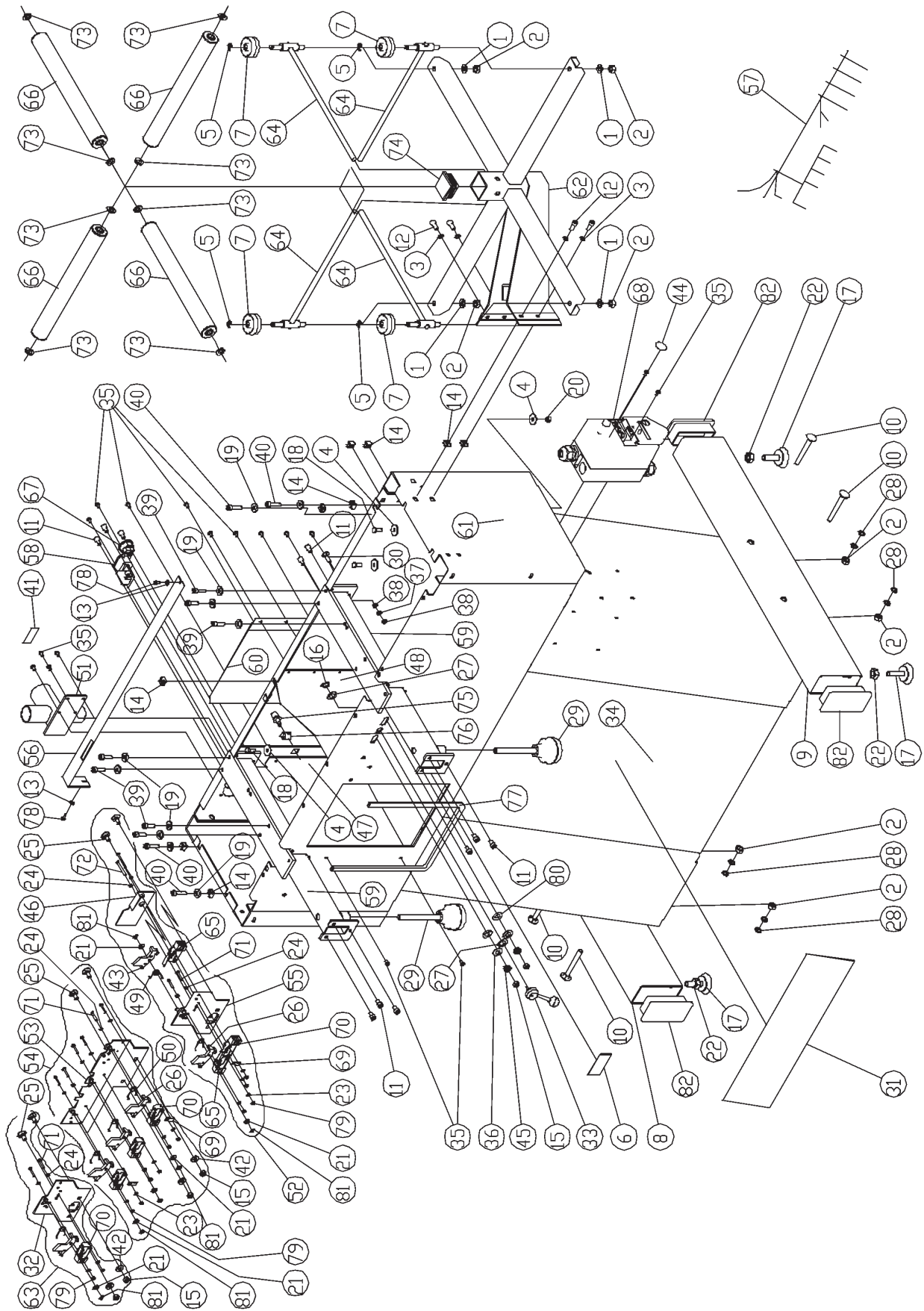




**Technical information**  
Explosion drawing and parts list

**Table ass'y EB35 (Ref. 8545651)**  
Edition 050502A0

Pos.	Code	Item	Pos.	Code	Item
1	1623041	PRESSER CLAMP			
2	1623043	PRESSER SPRING			
3	1628091	PANEL HOLDER ARM			
4	1673016	HEX. SOCKET FLAT HD. SCREW M.6X12			
5	1673018	HEX. SOCKET FLAT HD. SCREW M.6X20			
6	1675035	HEX. SOCKET HD. CAP SCREW M.6X10			
7	1675045	HEX. SOCKET HD. CAP SCREW M.6X15			
8	2085002	HEX. NUT M.6			
9	2280004	WASHER D.5.2X11.1X0.7			
10	3821046	ARM NUT			
11	4380012	WASHER D.6.4 DIN125			
12	6303078	PANEL PROTECTOR			
13	6673010	FLAT HD. SCREW M.5X8 PH.			
14	7085008	HEX. NUT M.5			
15	8503107	GUIDE			
16	8503108	MICROSWITCH GUIDE			
17	8503109	GUIDE			
18	8503110	RIGHT GUIDE			
19	8503111	LEFT GUIDE			
20	8503112	ROLLERS GUIDE			
21	8519333	LABEL			
22	8521217	ROLLER SHAFT			
23	8522321	STOPPER			
24	8522354	CENTERING DEVICE			
25	8523297	RIGHT FENCE			
26	8523298	LEFT FENCE			
27	8523357	LATERAL FENCE			
28	8523392	SUPPORT			
29	8523393	TABLE			
30	8523394	PRESSERS HOLDER			
31	8526098	SPRING			
32	8533109	ROLLER SUPPORT			
33	8533110	FIXING PLATE			
34	8546204	TABLE ROLLER ASS'Y			
35	8599212	COVER			
36	8599245	PROTECTOR			
37	9075003	HEX. SOCKET HD. CAP SCREW M.8X35			
38	9574001	CUP SQUARE NECK BOLT M.5X15			

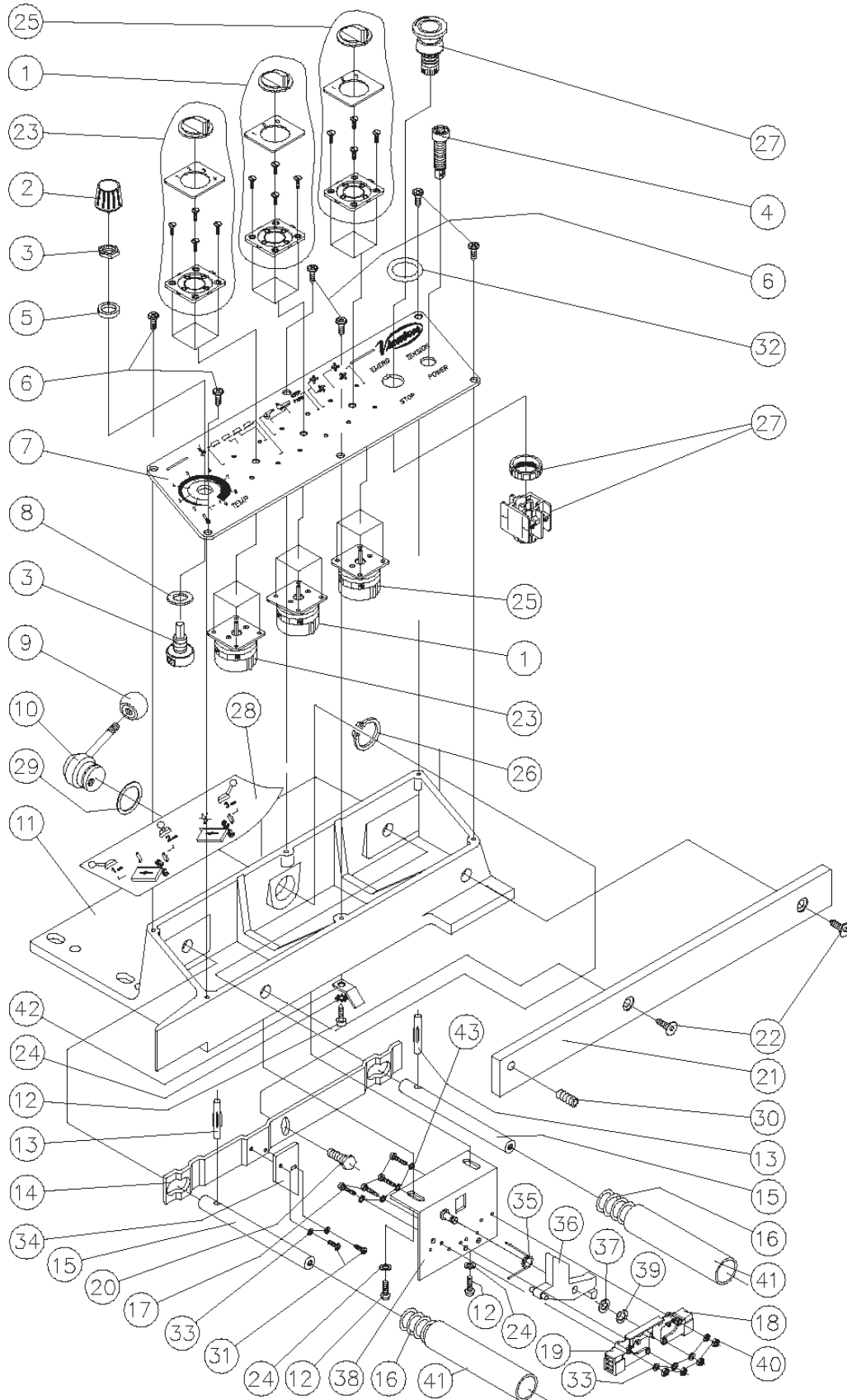




**Technical information**  
Explosion drawing and parts list

**Base ass'y EB35 (Ref. 8545652)**  
Edition 060704B00

Pos.	Code	Item	Pos.	Code	Item
1	1180003	WASHER D.8.4 DIN125	68	8568261	SWITCH BOX
2	1185003	HEX. NUT M.8	69	8568275	CLIP
3	1383003	WASHER AET D.6.4	70	8569039	MICROSWITCH
4	1580017	WASHER D.6.2X21X2	71	8572032	SCREW M.3X20 PH
5	1588017	RETAINING RING N-7	72	8572037	SCREW M.3X35 PH
6	1619013	WARNING LABEL	73	8580040	WASHER D.9.5X17X1.6
7	1628081	PLASTIC WHEEL	74	8599132	SQUARE COVER
8	8545739	BASE ASS'Y	75	8599192	HINGE
9	8545739	BASE ASS'Y	76	8599193	SPRING HOLDER
10	1674004	CUP SQUARE NECK BOLT M.8X70	77	8599248	PROTECTOR
11	1675035	HEX. SOCKET HD. CAP SCREW M.6X10	78	8678008	SCREW M.4X10 PH.
12	1675045	HEX. SOCKET HD. CAP SCREW M.6X15	79	9085010	HEX. NUT M.3
13	1680026	WASHER D.4.3 DIN125	80	9580005	WASHER D.10.2X20X0.26
14	1685016	SQUARE NUT ASS'Y M.6	81	9588003	RETAINING RING D.4
15	1685017	SELF-LOCKING HEX. NUT M.6	82	8599265	COVER
16	1688015	RETAINING RING			
17	1699036	LEVELLING SHOE M.10			
18	1771024	HEX. HD. SCREW M.6X15			
19	2033006	WASHER			
20	2085002	HEX. NUT M.6			
21	2280004	WASHER D.5.2X11.1X0.7			
22	2585007	HEX. NUT M.10			
23	3580010	WASHER D.3.2 DIN125			
24	3581004	TOOTHED WASHER D.3			
25	3774011	CUP SQUARE NECK BOLT M.6X15			
26	3802012	MICROSWITCH LEVER			
27	3880008	WASHER D.12X20X0.5			
28	4383008	WASHER AET D.8.4			
29	5025020	UPPER KNOB			
30	5174013	SCREW M.5X20			
31	6319097	LABEL			
32	6345242	MICROSWITCH REGULATING SUPPORT			
33	6346040	MICROSWITCH LEVER			
34	6346045	LOWER FURNITURE ASS'Y			
35	6478001	SCREW M.4X8 PH.			
36	6683015	BELLEVILLE WASHER D.10.2X20X0.8			
37	7081003	TOOTHED WASHER D.5			
38	7085008	HEX. NUT M.5			
39	7575007	HEX. SOCKET HD. CAP SCREW M.6X20			
40	7575008	HEX. SOCKET HD. CAP SCREW M.6X25			
41	8219335	LABEL			
42	8423195	WASHER D.6.3XD.15X1.5			
43	8502423	LEVER			
44	8519197	VOLTAGE LABEL			
45	8522353	BUSHING			
46	8523342	MICROSWITCH PROTECTOR			
47	8523486	INNER PART			
48	8523487	INNER RIGHT PART			
49	8526140	SPRING			
50	8526151	LEVER SPRING			
51	8545403	DUST COLLECTION CONNECTOR			
52	8545411	MICROSWITCH ASS'Y			
53	8545413	SUPPORT			
54	8545414	MICROSWITCHES ASS'Y			
55	8545419	REGULATING SUPPORT			
56	8545422	UPPER PROTECTION ASS'Y			
57	8545448	WIRING			
58	8545449	DUST COLLECTOR REMOTE CONTROL			
59	8545521	GUIDE ASS'Y			
60	8545648	DOOR ASS'Y			
61	8545649	BASSE ASS'Y			
62	8546199	FEEDER ASS'Y			
63	8546201	FRONT TRIMMER MICROSWITCH			
64	8546202	WHEEL SHAFT WITH ROLLER SHAFT ASS'Y			
65	8546203	MICROSWITCH WITH LEVER ASS'Y			
66	8546210	FEEDER ROLLER ASS'Y			
67	8568206	CABLES HOLDER			

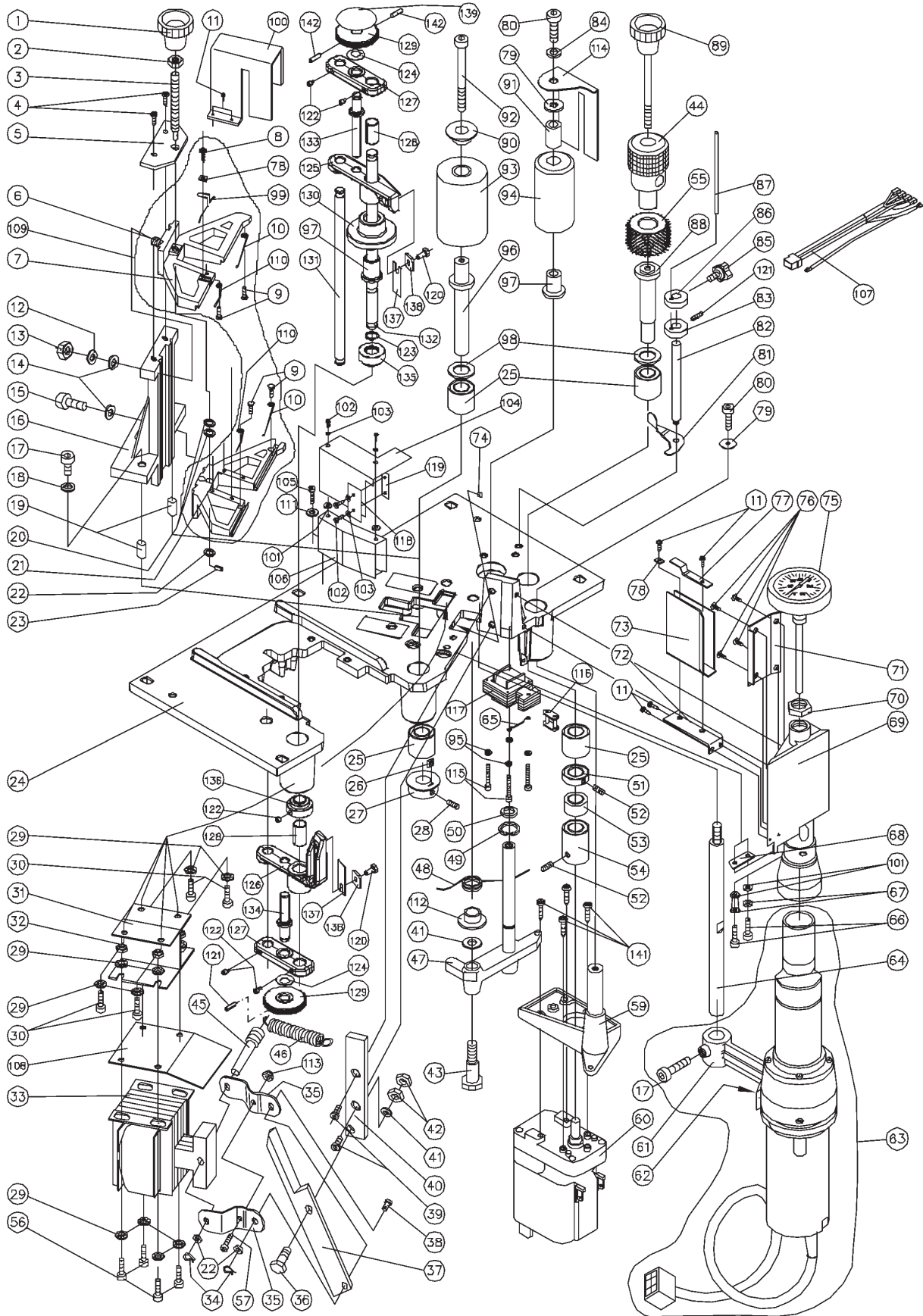




**Technical information**  
Explosion drawing and parts list

**Switch board EB35 (Ref. 8545441)**  
Edition 020705A0

Pos.	Code	Item
1	8568262	SWITCH (3 POS.)
2	1668067	POTENTIOMETER KNOB
3	6368184	POTENTIOMETER
4	8568209	ON/OFF LIGHT
5	1324040	FELT PACKING
6	1370002	PAN HD. TAPPING SCREW 6X3/8 PH.BZ.
7	8519292	PLATE
8	4480028	WASHER 20X12X1
9	5525038	KNOB D.20
10	8546191	LEVER
11	8506204	SWITCH BOARD BASE
12	9570012	PAN HD. TAPPING SCREW 8X3/8 PH.B.
13	8588098	PIN
14	8523200	LEVER
15	8522188	COLUMN
16	5026010	SPRING
17	8572032	SCREW M3X20 PH
18	8569039	MICROSWITCH
19	8546203	MICROSWITCH WITH LEVER ASS'Y
20	3322157	SCREW
21	8529127	SWITCH BOARD GUIDE
22	3873004	FLAT HD. SCREW M. 6X15
23	8568272	SWITCH (4 POS.)
24	1981001	TOOTHED WASHER «A» D.4
25	8568263	SWITCH (2 POS.)
26	4388094	O-RING
27	6368061	EMERGENCY STOP PUSH BUTTON
28	8519293	LABEL
29	8583017	WASHER
30	8375074	HEX. SOCKET SET SCREW ALLEN
31	9070014	PAN HD. TAPPING SCREW 4X1/4
32	8519198	EMERGENCY STOP LABEL
33	3580010	WASHER
34	8523329	LEVER EXTENSION
35	8526151	LEVER SPRING
36	3802012	MICROSWITCH LEVER
37	2280004	WASHER
38	8545400	SUPPORT
39	9588003	RETAINING RING D.4
40	9085010	HEX. NUT M.3
41	8568276	SPRING
42	8568216	TERMINAL
43	3581004	TOOTHED WASHER «A» D.3

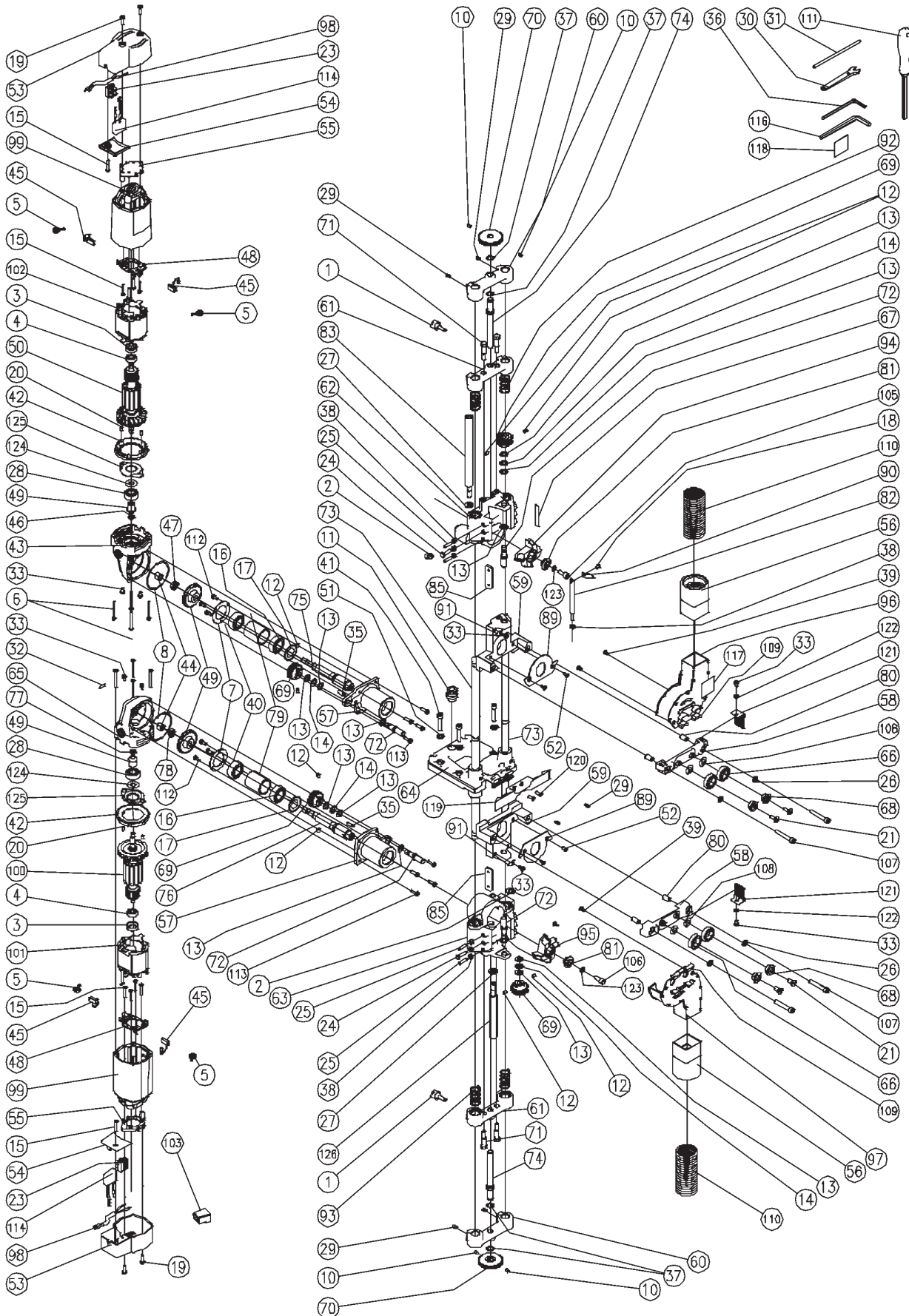




**Technical information**  
Explosion drawing and parts list

**Banding unit EB35 (Ref. 8545442)**  
Edition 060626E00

Pos.	Code	Item	Pos.	Code	Item	Pos.	Code	Item
1	6625024	KNOB	68	8523203	INSULANT	133	8522348	REGULATING SCREW (UPPER SCRAPPER)
2	1185003	HEX. NUT M.8	69	8506194	PIPE	134	8522349	REGULATING SCREW (LOWER SCRAPPER)
3	1628069	REGULATING SHAFT	69	8545561	PIPE ASS'Y	135	8522350	CENTERING COLLAR
4	1970001	PAN HD. TAPPING SCREW 8X1/2 PH.B.	70	4428047	NUT 1/4"	136	8522351	CENTERING COLLAR
5	4424028	REGULATING SHAFT GUIDE	71	8533111	DISTRIBUTOR	137	8523319	SCRAPPER BLADE
6	1675036	HEX. SOCKET SET SCREW M.8X30	72	1633008	FAN GUIDE HOLDER	138	8523320	BRACKET
7	8506212	UPPER GUIDE	73	8533118	FAN OUTLET	139	8519338	LABEL
8	6478002	SCREW M.4X12 PH.	74	1903077	NAIL GUIDE	141	6478002	SCREW M.4X12 PH.
9	7278014	SCREW M.4X8	75	1668048	THERMOMETER	142	1575038	HEX. SOCKET SET SCREW M.5X8
10	8526095	SPRING	75	3868018	THERMOMETER (F)	4468088	TRIAK	
11	2070004	PAN HD. TAPPING SCREW 6X1/4 PH.BZ	76	4370046	PAN HD. TAPPING SCREW 4X3/8 PH.B.	4468098	BRUSH HOLDER	
12	2023020	SPRING WASHER	77	8533119	DEFLECTOR	4469023	HEATER UNIT MOTOR ASS'Y	
13	3885004	SELF-LOCKING HEX. NUT M.8	78	1633042	WASHER	6368185	ELECTRONIC CIRCUIT	
14	2023036	WASHER	79	3833085	WASHER D.8X25X3			
15	2375001	HEX. SOCKET HD. CAP SCREW M.8X15	80	1675034	HEX. SOCKET HD. CAP SCREW M.8X20			
16	4406081	GUIDES HOLDER	81	8523201	ROLLER LEVER			
17	4875046	HEX. SOCKET HD CAP SCREW M.8X25	82	8521223	TAPE GUIDE			
18	1180003	WASHER D.8.4 DIN125	83	8521209	RING			
19	1627002	CENTERING COLLAR	84	7280036	WASHER D.8.2XD.19.9X1			
20	1683004	DISC SPRING D.6.2	85	1025101	KNOB M 6X17 mm (CP)			
21	8506211	LOWER GUIDE	86	8521208	RING			
22	2080002	WASHER D.6.4X12.2X0.8	87	1621015	GUIDE ROD			
23	1688030	SPRING PIN D.2X10	88	8528111	PIVOT SCREW			
24	6306010	MIDDLE BASE PLATE	89	1625041	KNOB			
25	6311011	NEADLE BEARING HK1512	90	1628051	COVER			
26	5285011	NUT M.5	91	1612004	SELF LUBRICATED BEARING A-12X17X25			
27	6303030	RING	92	8375075	HEX. SCREW M.8X45			
28	6375058	HEX. SOCKET SET SCREW M.5X10	93	1604023	RUBBER FENCE ROLLER			
29	8581014	WASHER D.6.1X14	94	1604022	RUBBER INFEEED ROLLER			
30	1675037	HEX. SOCKET HD. CAP SCREW M.6X12	95	3883002	WASHER AET D.4.3			
31	8546192	MAGNET HOLDER	96	8522366	PIVOT SCREW			
32	1685017	SELF-LOCKING HEX. NUT M.6	97	1612005	SELF LUBRICATED BEARING B-12X17X25/22X3			
33	8545350	MAGNET (DOUBLE)	98	6380029	WASHER D.16.2X24X0.5			
34	8588125	PIN D.1.75	99	8526096	SPRING			
35	8533108	LEVER	100	8550133	BLADES PROTECTOR			
36	1628054	PIVOT SCREW	101	8533112	WASHER			
37	8531088	MOVABLE BLADE	102	9570012	PAN HD. TAPPING SCREW 8X3/8 PH.B.			
38	1628077	ROLL PIN D.6	103	1680026	WASHER D.4.3 DIN125			
39	1673018	HEX. SOCKET FLAT HD. SCREW M.6X20	104	8546223	AIR OUTLET PROTECTOR			
40	8531076	FIXED BLADE	105	7575008	HEX. SOCKET HD. CAP SCREW M.6X25			
41	9580005	WASHER D.10.2X20X0.26	106	8533115	OUTLET EXTENSION			
42	1322078	LOCK NUT	107	8545465	CORD ASS'Y			
43	1628053	PIVOT SCREW	108	8523209	PROTECTOR			
44	8522358	ROLLER	109	8545247	STRIP GUIDE SET			
45	8521210	PIN	110	8526102	SPRING			
46	8526099	BLADE SPRING	111	1580017	WASHER D.6.2X21X2			
47	8545428	LEVER	112	8522238	RING			
48	8526143	SPRING	113	4385013	NUT M.5			
49	1688015	RETAINING RING	114	8523290	ROLLER PROTECTION			
50	4480028	WASHER D.12.1X20X1	115	8575108	HEX. SOCKET HD. CAP SCREW M.4X30			
51	8522199	RING	116	8587098	COUPLING			
52	1575026	HEX. SOCKET SET SCREW M.6X8	117	8545464	MAGNET			
53	8511013	BUSHING	118	8523321	SCRAPPER			
54	8522189	SLEEVE	119	8523353	GUIDE			
55	8599190	ROLLER	120	8571040	HEX. SCREW M.5X10			
56	7575007	HEX. SOCKET HD. CAP SCREW M.6X20	121	1575015	HEX. SOCKET SET SCREW M.4X15			
57	1675039	HEX. SOCKET HD. CAP SCREW M.5X15	122	4475051	HEX. SOCKET SET SCREW M.5X8			
59	8506198	MOTOR HOLDER	123	4688046	RETAINING RING SW-12			
60	8569057	MOTOR ASS'Y	124	8583021	SPRING WASHER D.10.2X20X0.5			
61	1606057	HEATER HOLDER	125	8506301	UPPER SCRAPPER BODY			
62	1673019	HEX. SOCKET FLAT HD. SCREW M.4X15	126	8506302	LOWER SCRAPPER BODY			
63	6345586	HEATER UNIT ASS'Y	127	8506317	SUPPORT			
64	1628075	GUIDE ROD	128	8512047	CENTERING COLLAR 12X14X25			
65	4426039	MAGNET SPRING	129	8522312	REGULATING WHEEL			
66	7575007	HEX. SOCKET HD. CAP SCREW M.6X20	130	8522345	SCRAPPER ROLLER			
67	8481013	WASHER	131	8522346	SHAFT			
			132	8522347	SCRAPPER COLUMN			

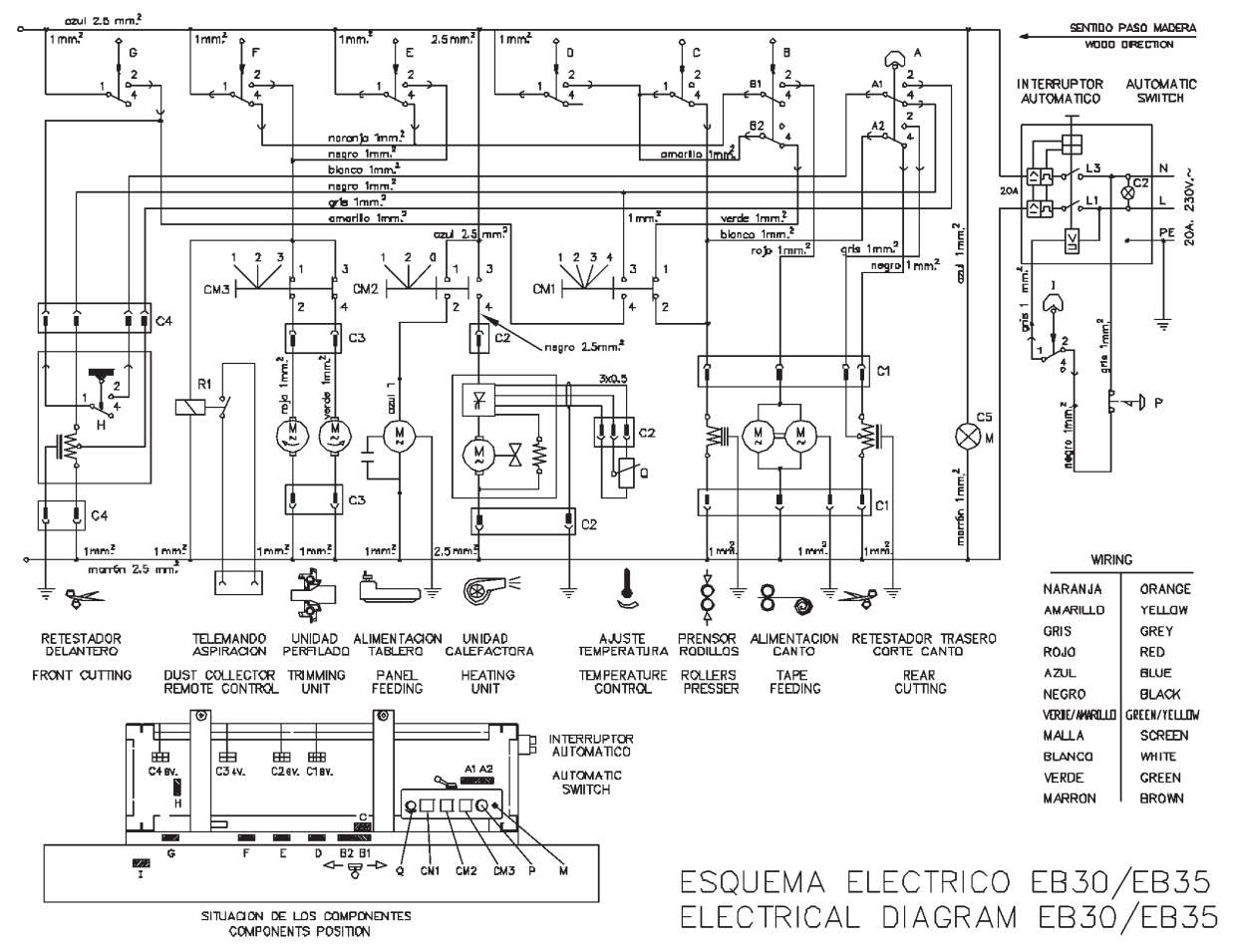
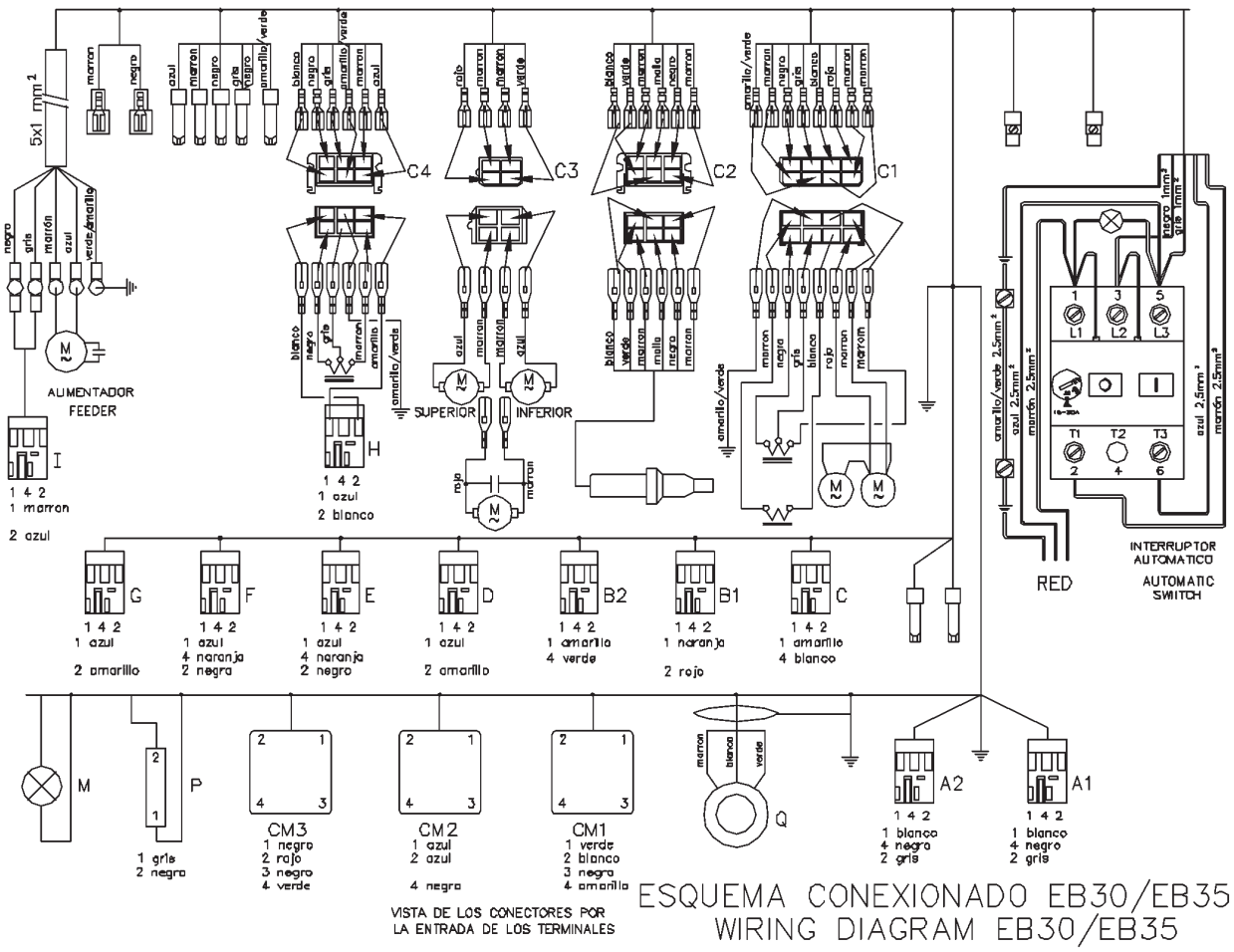




**Technical information**  
Explosion drawing and parts list

**Trimming unit PE85L (Ref. 8545390)**  
Edition 060626E00

Pos.	Code	Item	Pos.	Code	Item	Pos.	Code	Item
1	1025106	KNOB M 5X15 mm (CP)	68	8522310	COPIER ECCENTRIC			
2	1180003	WASHER D.8.4 DIN125	69	8522311	COPIER REGULATING WHEEL			
3	1204003	BEARING HOLDER	70	8522312	REGULATING WHEEL			
4	1210019	BALL BEARING 607 Z	71	8522313	STOPPER SCREW			
5	1226013	BRUSH SPRING	72	8522314	REGULATING SHAFT			
6	1270042	PAN HD. TAPPING SCREW 6X1 1/2 PH.BZ.	73	8522315	D.14 COLUMN			
7	1323049	RETAINER	74	8522317	REGULATING SCREW			
8	1323078	WASHER E=0.2	75	8522319	UPPER BIT SHAFT			
8	1323079	WASHER E=0.1	76	8522320	LOWER BIT SHAFT			
10	1575038	HEX. SOCKET SET SCREW M.5X8	77	8522328	NUT M.6 (LEFT)			
11	1668045	BUSHING FOR CORD	78	8522329	WHEEL NUT (LEFT)			
12	1575038	HEX. SOCKET SET SCREW M.5X8	79	8522330	BUSHING			
13	2023022	WASHER	80	8522331	CENTERING COLLAR			
14	2024084	SPRING WASHER E=0.4	81	8522335	WASHER			
15	2070007	PAN HD. TAPPING SCREW 6X7/8 PH.BZ.	82	8522364	ROD			
16	2310003	BALL BEARING 6002-ZZ	83	8522454	UPPER ROD			
17	2323030	BEARING PROTECTOR	85	8523282	BUCKER			
18	2870050	BLADES SCREW	89	8523324	STOPPER			
19	3070036	PAN HD. TAPPING SCREW 8X5/8 PH. BZ.	90	8523356	INDICATOR			
20	3504030	RUBBER PIN	91	8523387	COPIER INDICATOR			
21	3873004	FLAT HD. SCREW M.6X15	92	8526141	SPRING			
23	4368022	PILLAR TERMINAL	93	8526142	SPRING			
24	4371011	HEX. HD. SCREW M.5X20	94	8540172	BIT R.3 CHF. 10 DG (UP)			
25	4375029	HEX. SOCKET SET SCREW M.5X20	94	8540183	BIT R.2 CHF. 10 DG (UP)			
26	4380001	WASHER D.6X12X1.2	94	8540185	BIT CHF. 45 DG (UP)			
27	1180003	WASHER D.8.4 DIN125	95	8540173	BIT R.3 CHG. 10 DG (DOWN)			
28	4410021	BALL BEARING 629-ZZ	95	8540184	BIT R.2 CHF. 10 DG (DOWN)			
29	4475051	HEX. SOCKET SET SCREW M.5X8	95	8540186	BIT CHF. 45 DG (DOWN)			
30	5323141	WRENCH 8 mm	96	8545398	UPPER PIPE			
31	8522416	ROD	97	8545399	LOWER PIPE			
32	6319098	LABEL	98	8545426	CORD ASS'Y			
33	6478001	SCREW M.4X8 PH.	99	8545466	MOTOR HOUSING			
35	8575114	HEX. SOCKET SET SCREW M.5X16	100	8551149	ARMATURE ASS'Y (LEFT TURN)			
36	6699025	HEXAGON BAR WRENCH 5 mm	101	8555139	STATOR ASS'Y (LEFT TURN)			
37	7080011	WASHER D.10.2X14.1X0.4	102	7955072	STATOR ASS'Y 230 V.			
38	7085008	HEX. NUT M.5	103	8568212	CONNECTOR			
39	7278014	SCREW M.4X8	105	8575104	HEX. SOCKET HD. CAP SCREW M.6X15			
40	7510015	BALL BEARING 6201-ZZ	106	8575105	HEX. SOCKET HD. CAP SCREW M.6X15 LEFT			
41	9875079	SCREW M.6x30	107	8575106	HEX. SOCKET HD. CAP SCREW M.6X30			
42	7903071	FAN GUIDE	108	8580046	BEARING STOPPER			
43	7907063	GEAR HOUSING	109	8599186	JOINT			
44	7912028	SELF LUBRICATED BEARING A8X12X10	110	8599191	PIPE			
45	7917010	CARBON BRUSHES SET	111	8599195	ALLEN KEY e/c 6X100			
46	7929026	NUT M.6	112	8678008	SCREW M.4X10 PH.			
47	7929027	NUT M.9	113	8678009	SCREW M.4X15 PH.			
48	7945034	BRUSH HOLDER ASS'Y	114	9868229	CAPACITOR			
49	7950095	GEARS SET (MG10)	116	1699005	WRENCH 6 mm			
50	7951069	ARMATURE ASS'Y 230 V.	117	8519336	LABEL			
51	8180006	WASHER D.7.4 DIN125	118	8519337	LABEL			
52	8478018	SCREW M.4X10	119	8506346	SLIDE			
53	8502426	MOTOR COVER	120	7278007	SCREW M.4X12 PH.			
54	8502427	COVER	121	8545536	PROTECTOR			
55	8502428	SUPPORT	122	1680026	WASHER D.4.3 DIN125			
56	8504213	NOZZLE	123	1383003	WASHER AET D.6.4			
57	8506293	BEARING HOLDER	124	7080059	WASHER D.9.1X22X0.2			
58	8506294	COPIER CENTERING DEVICE	125	7906340	BEARING COVER			
59	8506295	COPIER GUIDE	126	8522455	LOWER ROD			
60	8506296	UPPER SUPPORT						
61	8506297	HALFWAY SUPPORT						
62	8506298	UPPER MOTOR SUPPORT						
63	8506299	LOWER MOTOR SUPPORT						
64	8506348	TRIMMER HOLDER						
65	8506326	ANGULAR HEAD						
66	8510036	BALL BEARING 61902-2RZ						
67	8519300	LABEL						
67	8519341	LABEL						



ESQUEMA ELECTRICO EB30/EB35  
 ELECTRICAL DIAGRAM EB30/EB35