

CO49K

<i>Virutex</i>			
50 Hill Street, #509			
Southampton, NY 11968			
Phone: 1-800-868-9663			
Fax: 631-537-2396			
PARTS LIST			
<u>4900500-CO49K Automatic Slitter</u>			
			2005
POS.	CODE	ITEM	List price
1	4904203	ROLLER	\$30.00
2	4922255	ROD	\$14.00
3	2011001	NEADLE BEARING HK 1010	\$6.00
4	4945317	LEFT ARM ASS'Y	\$40.00
5	4945318	RIGHT ARM ASS'Y	\$40.00
6	4933139	PROTECTOR	\$12.00
7	9580005	WASHER	\$1.50
8	1688103	RING	\$0.75
9	4919245	LABEL	
10	4902302	REGULATING SUPPORT	\$7.50
11	7978004	SCREW M.4X25 PH.	\$1.50
12	1973020	FLAT HD. SCREW M. 4X10 PH.	\$0.75
13	1502174	REGULATING KNOB	\$6.00
14	2024084	SPRING WASHER E=0.4	\$0.75
15	2023022	WASHER	\$0.75
16	8678009	SCREW M.4X15 PH.	\$0.75
17	1527101	SHAFT	\$13.50
18	2085002	HEX. NUT M.6	\$0.75
19	5575016	HEX. SOCKET SET SCREW M.6X25	\$1.20
20	1501035	SLIDE	\$13.50
21	1533004	ADAPTING PLATE	\$3.00
22	4928028	UPPER CUTTER SHAFT	\$15.00
23	1511009	NEADLE BEARING K	\$15.00
24	T-78B	SET OF TWO WHEEL CUTTERS	\$25.00
25	1528020	CUTTER CAP SCREW	\$5.10
26	1573024	FLAT HD. SCREW M. 6X10	\$1.50
27	4934106	BASE PLATE	\$33.00
28	4906248	FENCE	\$0.75
29	1588017	RETAINING RING N-7	\$0.75
30	7278005	SCREW M.5X10	\$0.75
31	1673018	HEX. SOCKET FLAT HD. SCREW M. 6X20	\$0.75
32	4901111	BODY	\$0.00
33	7575014	HEX. SOCKET SET SCREW M.4X10	\$0.75
34	4926112	SPRING	\$1.80
35	4922301	CENTERING DEVICE	\$1.50
36	4945319	MOTORIZED ROLLER	\$45.00

CO49K

37	4945320	ROLLER	\$33.00
38	1688101	RING	\$0.75
39	4933130	RIGHT PLATE	\$89.00
40	4933140	SPACER	\$1.50
41	4933131	LEFT PLATE	\$0.00
42	2010011	BALL BEARING 6202-2RS	\$12.00
43	4922259	SPACER	\$1.80
44	1628056	BEARING COVER	\$2.25
45	6680039	WASHER D.14.2X23X0.5	\$0.75
46	1699036	LEVELLING SHOE	\$4.50
47	4933121	COVER	\$0.00
48	2585007	HEX. NUT M.10	\$2.25
49	4987093	WHEEL	\$25.00
50	4487055	DRIVING CHAIN	\$35.00
51	4989048	KEY	\$1.50
52	4933122	BASE	\$65.00
53	4969046	MOTOR 110V.	\$380.00
54	7178003	SCREW M.5X12 PH.	\$0.75
55	4915044	SWITCH	\$29.00
56	8568206	CABLES HOLDER	\$7.50
57	6399061	CONTACT FINGER	\$13.50
58	1675036	HEX. SOCKET SET SCREW M.8X30	\$1.95
59	4906249	BRACKET	\$28.00
60	1528019	LOWER CUTTER SHAFT	\$16.00
61	6319097	VIRUTEX LABEL	\$0.00
62	1675045	HEX. SOCKET HD. CAP SCREW M. 6X15	\$2.25
63	4919249	MILIMETERED LABEL	\$0.00
64	4945357	PROTECTOR	\$0.00
65	4946237	CABLE 110V.	\$15.00
66	4946236	WIRING ASS'Y	\$45.00
67	4919259	LABEL	\$0.00
68	6478002	SCREW M4X12 PH.	\$0.75
69	1981001	TOOTHED WASHER "A" D.4	\$0.75
70	2385005	HEX NUT M.4	\$0.75
71	1528022	SHAFT STOP	\$0.75
72	8375074	HEX. SOCKET SET SCREW ALLEN	\$1.50
73	4919238	LABEL	\$0.00
74	4906264	LABEL	\$0.00
75	4945345	SPACER ASS'Y	\$15.00
76	4922297	UPPER SPACER	\$3.00

CO49K

77	4922286	LOWER SPACER	\$3.00
78	4922299	SUPPORT	\$6.00
79	4969047	SELECTOR SWITCH	\$50.00
80	4922294	NUT	\$0.00
81	1673017	HEX. SOCKET FLAT HD. SCREW M.4X10	\$2.25
82	4983019	WASHER	\$0.75
83	4922298	SUPPORT	\$6.00
84	1580017	WASHER	\$2.25
85	4988111	O-RING	\$0.00
86	1688015	RETAINING RING D.12	\$0.75
87	4945300	CUTTING SELECTOR ASS'Y	\$15.00
88	6375052	HEX. SOCKET SET SCREW M.6X8	\$2.25
89	3380038	WASHER	\$0.75
90	8569040	MICROSWITCH	\$16.50
91	4919231	LABEL	\$0.00
92	8519197	VOLTAGE LABEL	\$1.50
93	4933135	STRIP EXIT RAMP	\$0.00
94	7278014	SCREW	\$0.75
95	4933136	MICROSWITCH HOLDER	\$3.00
96	6478001	SCREW M4X8 PH.	\$0.75
97	3580010	WASHER	\$0.75
98	8570056	SCREW 4X3/4 PH. B.	\$0.75
99	4926127	SPRING	\$3.00
100	4380014	WASHER	\$0.75
101	7088010	RETAINING RING N-5	\$0.00
102	4945352	FENCE SUPPORT	\$54.00
103	4475024	HEX. SOCKET FLAT HD. SCREW M.5X10	\$1.50
104	7085008	HEX. NUT M.5	\$2.25
105	2973025	ALLEN SCREW M5X15	\$0.75
106	4945306	FENCE ASS'Y (including pos #26, 28, 59, 102 - 105)	\$87.00
107	1380024	WASHER 8.2X19X0.1	\$0.75
108	4968250	FASTON	\$0.75
109	7480032	WASHER 6.4X15X2	\$0.75
110	1025101	KNOB M6X17	\$5.25
111	4922323	ROLLER SPACER	\$1.80

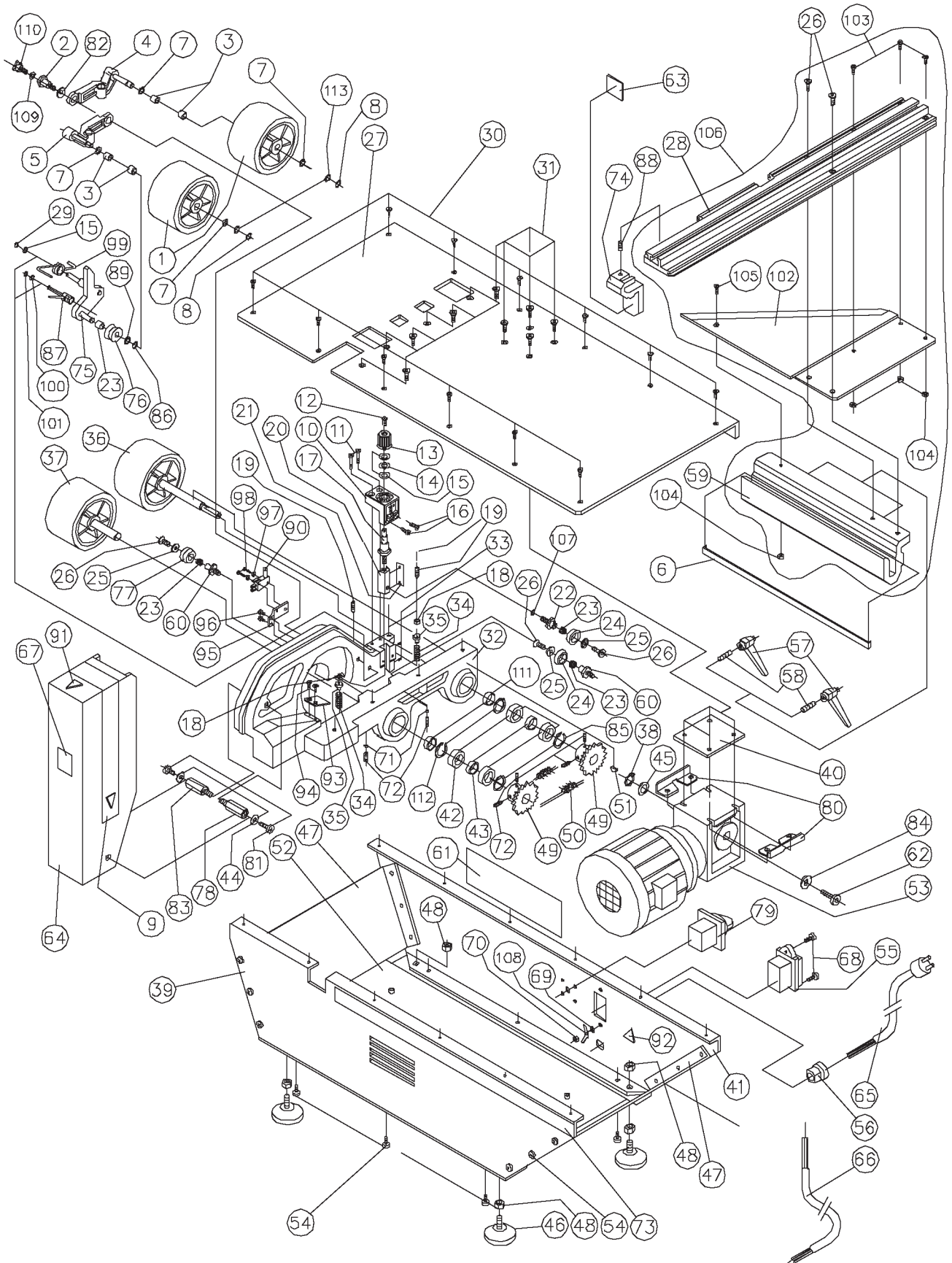
Technical information

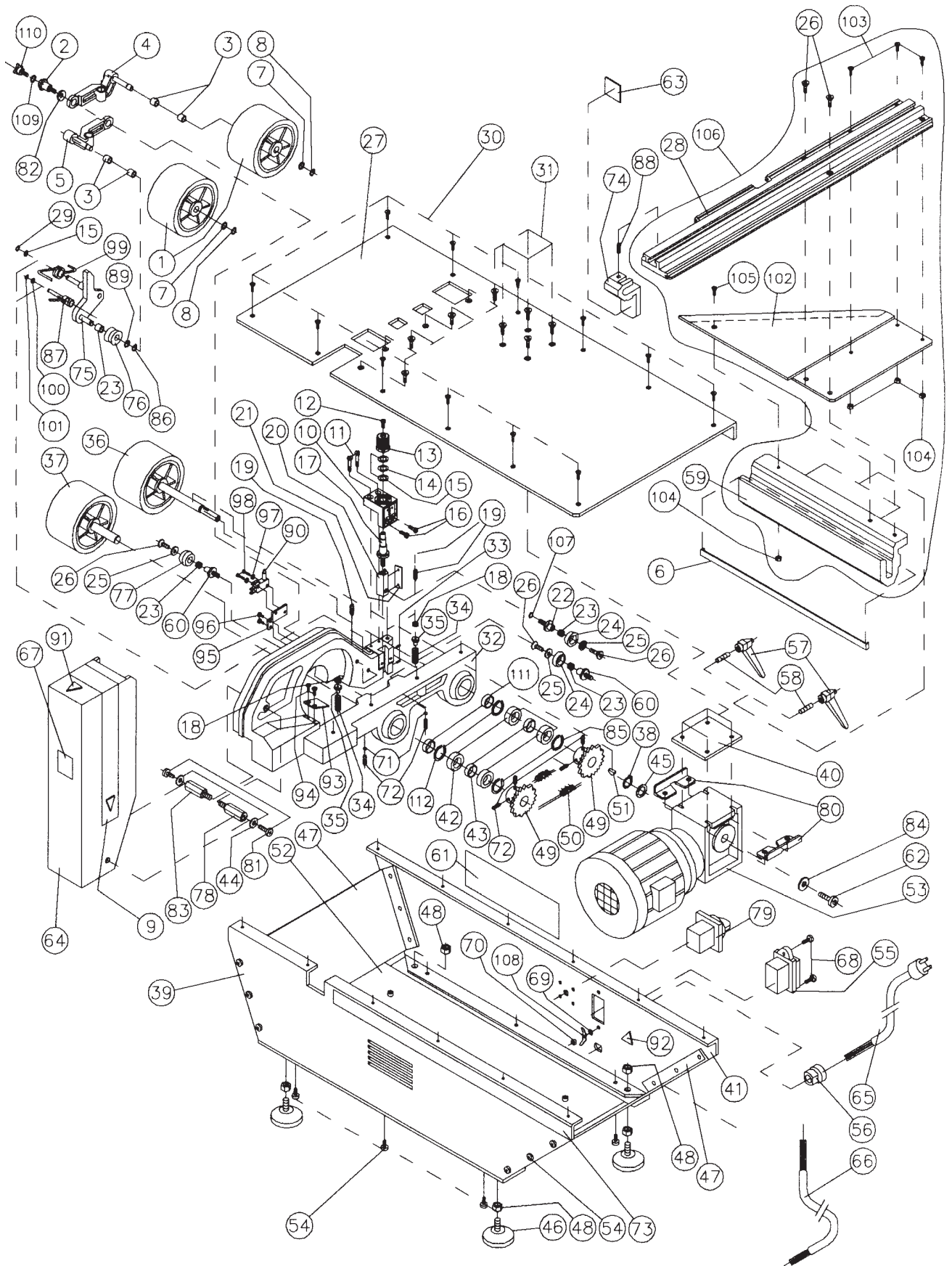
Explosion drawing and parts list

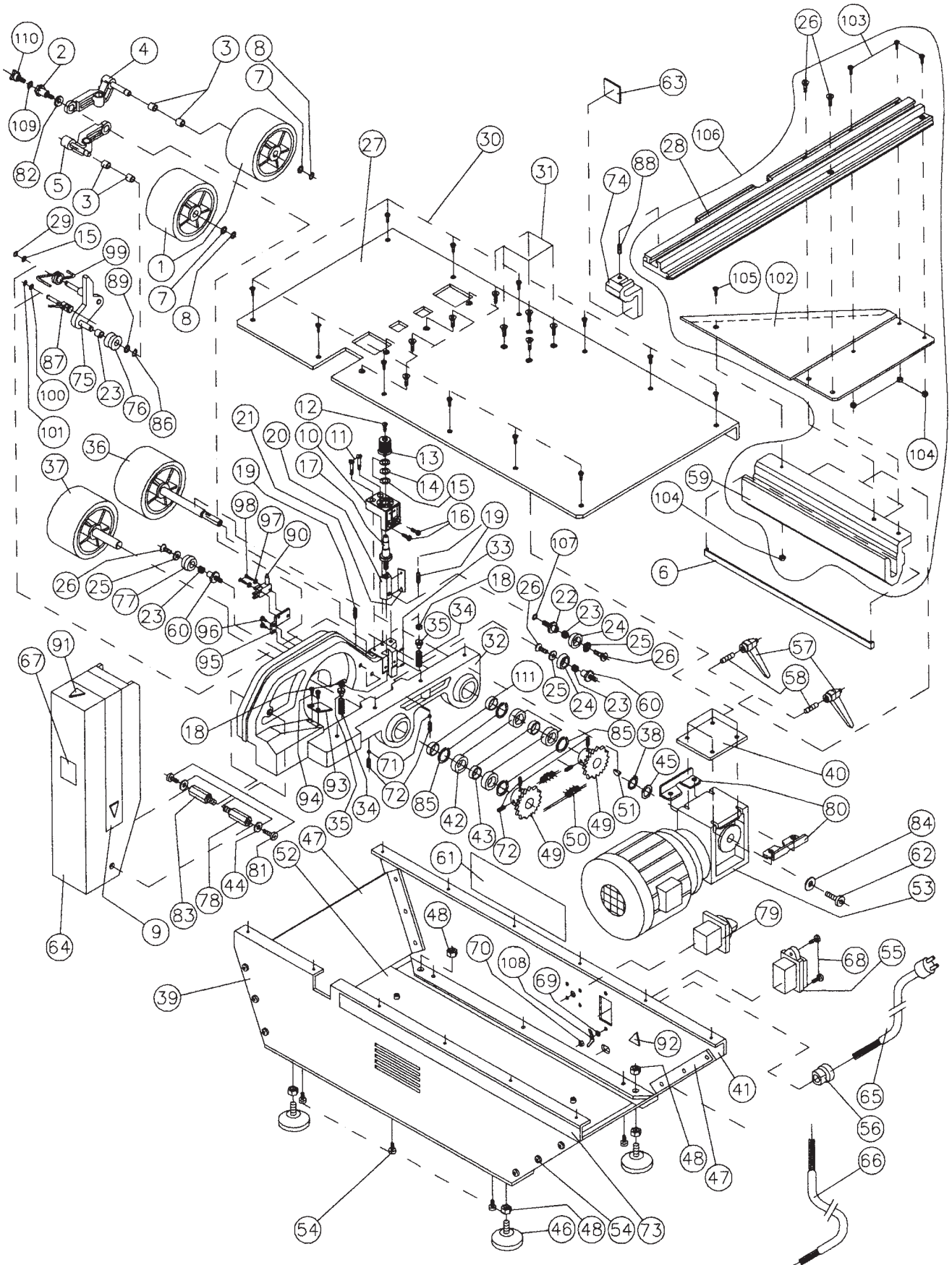
CO49K Automatic slitter (Ref. 4900500)

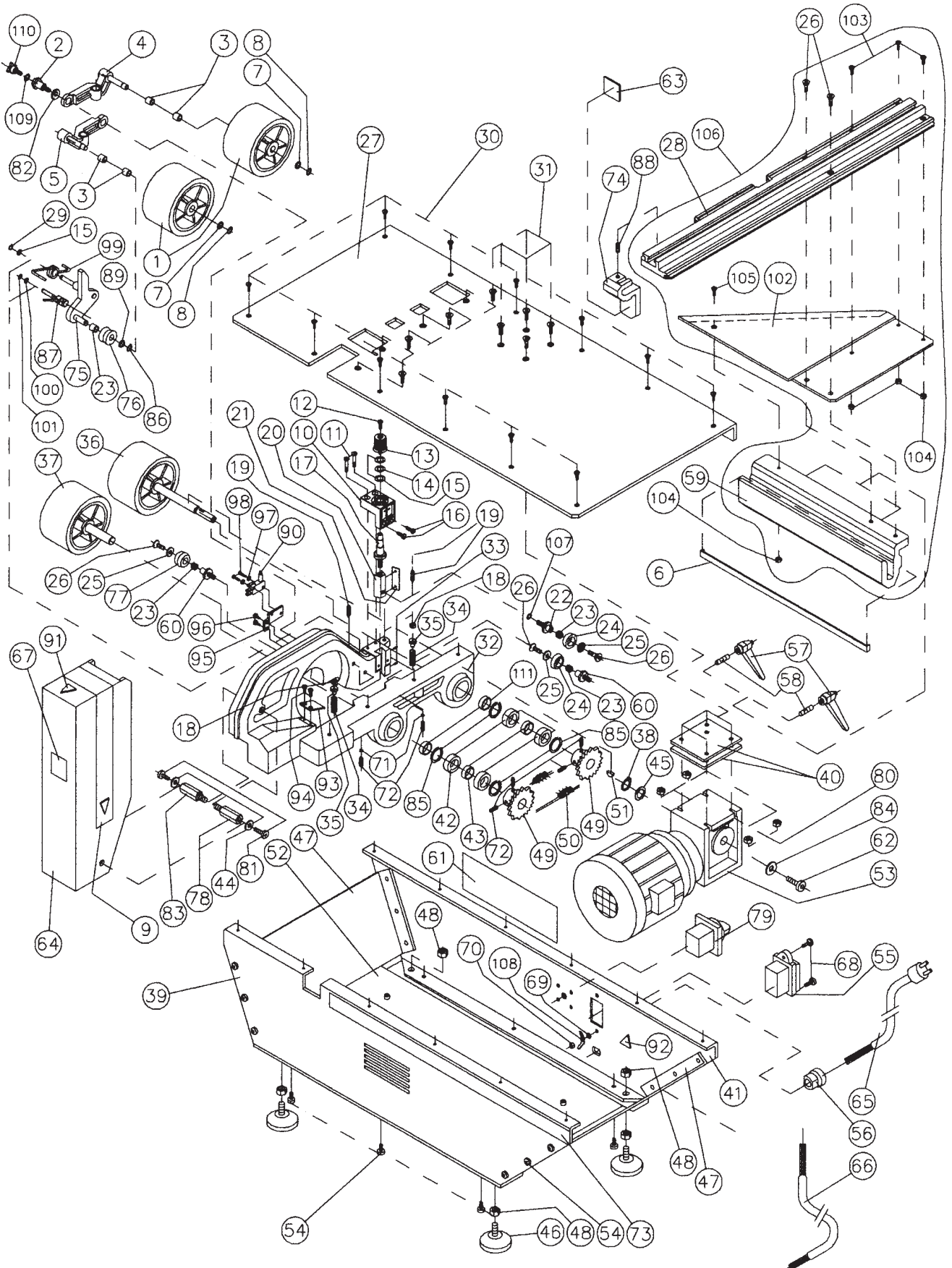
(*) Parts not mounted in the current version

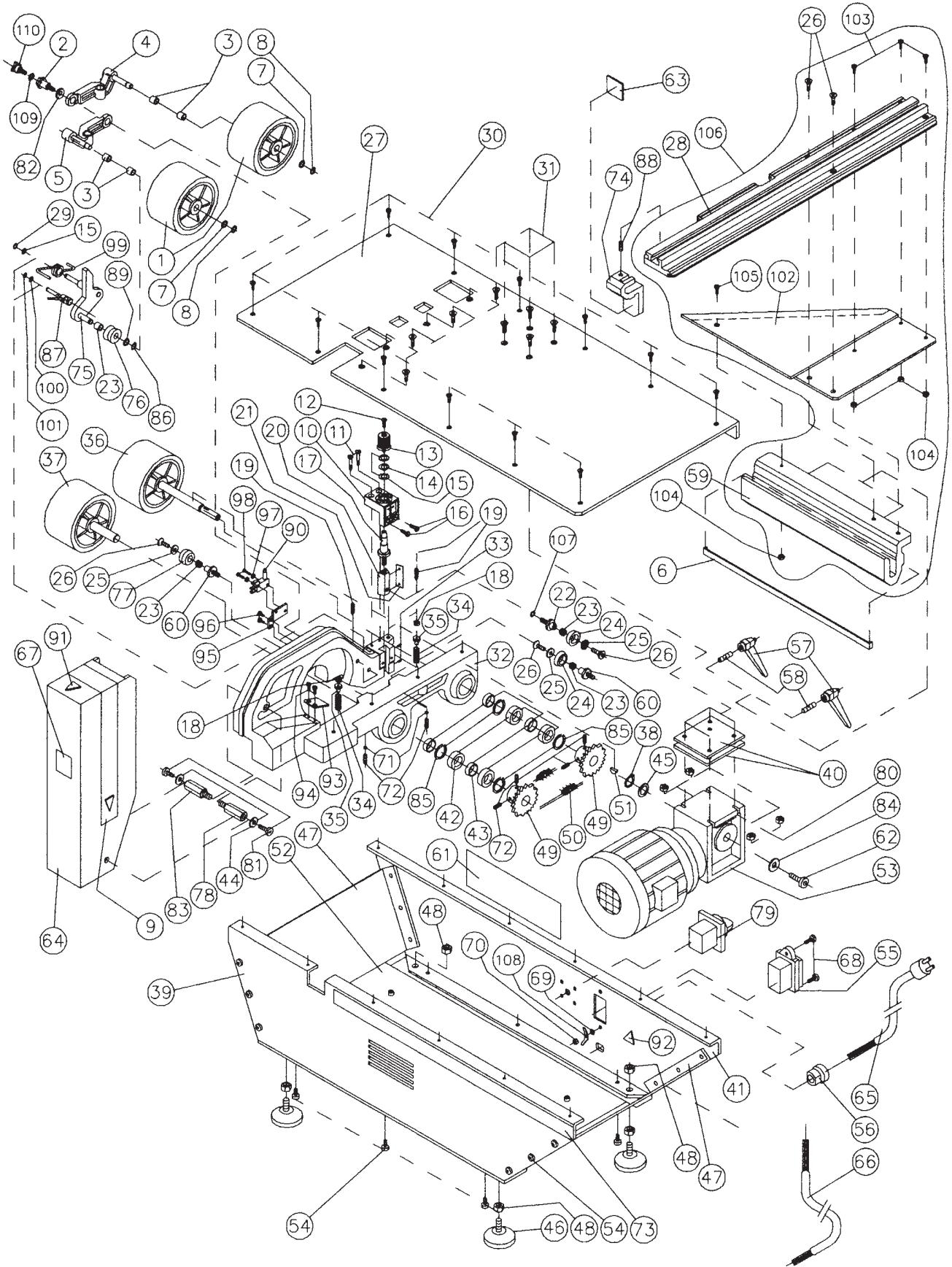
Pos.	Code	Vrs. Serie	Item	Pos.	Code	Vrs. Serie	Item
1	4904203		ROLLER	66	4946236		WIRING ASS'Y
2	4922255		ROD	67	4919259		LABEL
3	2011001		NEADLE BEARING HK 1010	68	6478002		SCREW M.4X12 PH.
4	4906247		LEFT LEVER	69	1981001		TOOTHED WASHER D.4.3
5	4906246		RIGHT LEVER	70	2385005		HEX. NUT M.4
6	4933139		PROTECTOR	71	1528022		WASHER D.4.3X2
7	9580005		WASHER D.10.2X20X0.26	72	8375074		HEX. SOCKET SET SCREW M.6X5
8	1688103		RING SHAFT D.10	73	4919238		LABEL
9	4919245		LABEL	74	4906264		BRACKET
10	4902302		REGULATING SUPPORT	75	4945345		SPACER ASS'Y
11	7978004		SCREW M.4X25 PH.	76	4922297		UPPER SPACER
12	1973020		FLAT HD. SCREW M.4X10 PH.	77	4922286		LOWER SPACER
13	1502174		REGULATING KNOB	78	4922299		SUPPORT
14	2024084		SPRING WASHER E=0.4	79	4969047		SELECTOR SWITCH
15	2023022		WASHER	80	4933143		BRACKET
16	8678009		SCREW M.4X15 PH.	81	1673017		HEX. SOCKET FLAT HD. SCREW M. 4X10
17	1527101		SHAFT	82	4983019		WASHER D.28XD.14.2X1
18	2085002		HEX. NUT M.6	83	4922298		SUPPORT
19	5575016		HEX. SOCKET SET SCREW M.6X25	84	1580017		WASHER D.6.2X21X2
20	1501035		SLIDE	85	4988111		O-RING D.35 INA BR-35
21	1533004		ADAPTING PLATE	86	1688015		RETAINING RING
22	4928028		UPPER CUTTER SHAFT	87	4945300		CUTTING SELECTOR ASS'Y
23	1511009		NEADLE BEARING K	88	6375052		HEX. SOCKET SET SCREW M.6X8
24	1527075		SET OF TWO WHEEL CUTTERS	89	3380038		WASHER D.12.1X20X0.5
25	1528020		CUTTER CAP SCREW	90	8569040		MICROSWITCH
26	1573024		FLAT HD. SCREW M.6X10	91	4919231		LABEL
27	4934106		BASE PLATE	92	8519197		VOLTAGE LABEL
28	4906248		FENCE	93	4933135		STRIP EXIT RAMP
29	1588017		RETAINING RING N-7	94	7278014		SCREW M.4X8
30	7278005		SCREW M.5X10 PH.	95	4933136		MICROSWITCH HOLDER
31	1673018		HEX. SOCKET FLAT HD. SCREW M.6X20	96	6478001		SCREW M.4X8 PH.
32	4901111		BODY	97	3580010		WASHER D.3.2 DIN125
33	7575014		HEX. SOCKET SET SCREW M.4X10	98	8570056		SCREW 4X3/4 PH. B.
34	4926112		SPRING	99	4926127		SPRING
35	4922301		CENTERING DEVICE	100	4380014		WASHER D.6.3X11.8X0.8
36	4945319		MOTORIZED ROLLER	101	7088010		RETAINING RING N-5
37	4945320		ROLLER	102	4945352		FENCE SUPPORT
38	1688101		RING SHAFT D.14	103	4475024		HEX. SOCKET FLAT HD. SCREW M.5X10
39	4933130		RIGHT PLATE	104	7085008		HEX. NUT M.5
40	4933140		SPACER	105	2973025		ALLEN SCREW M.5X15
41	4933131		LEFT PLATE	106	4945306		FENCE ASS'Y
42	2010011		BALL BEARING 6202-2RS	107	1380024		WASHER 8.2X19X0.1
43	4922259		SPACER	108	4968250		FASTON
44	1628056		BEARING COVER	109	7480032		WASHER 6.4X15X2
45	6680039		WASHER D.14.2X23X0.5	110	1025101		KNOB M 6X17 mm (CP)
46	1699036		LEVELLING SHOE M.10	111	4922323	B0 1006	ROLLER SPACER
47	4933121		COVER	112	6388049	D0 1046	RETAINING RING D.35
48	2585007		HEX. NUT M.10	113	4983020	E0 1074	WASHER
49	4987093		WHEEL				
50	4487055		DRIVING CHAIN				
51	4989048		KEY 5X7.5X19				
52	4933122		BASE				
53	4969042		MOTOR 230 V.				
53 -	4969046		MOTOR 110 V.				
54	7178003		SCREW M.5X12 PH.				
55	4915046		SWITCH 230 V.				
55 -	4915044		SWITCH 110 V.				
56	8568206		CABLES HOLDER				
57	6399061		CONTACT FINGER M.8				
58	1675036		HEX. SOCKET SET SCREW M.8X30				
59	4906249		BRACKET				
60	1528019		LOWER CUTTER SHAFT				
61	6319097		LABEL				
62	1675045		HEX. SOCKET HD. CAP SCREW M.6X15				
63	4919249		MILIMETERED LABEL				
64	4945357		PROTECTOR				
65	4946235		CABLE 230 V.				
65 -	4946237		CABLE 110 V.				

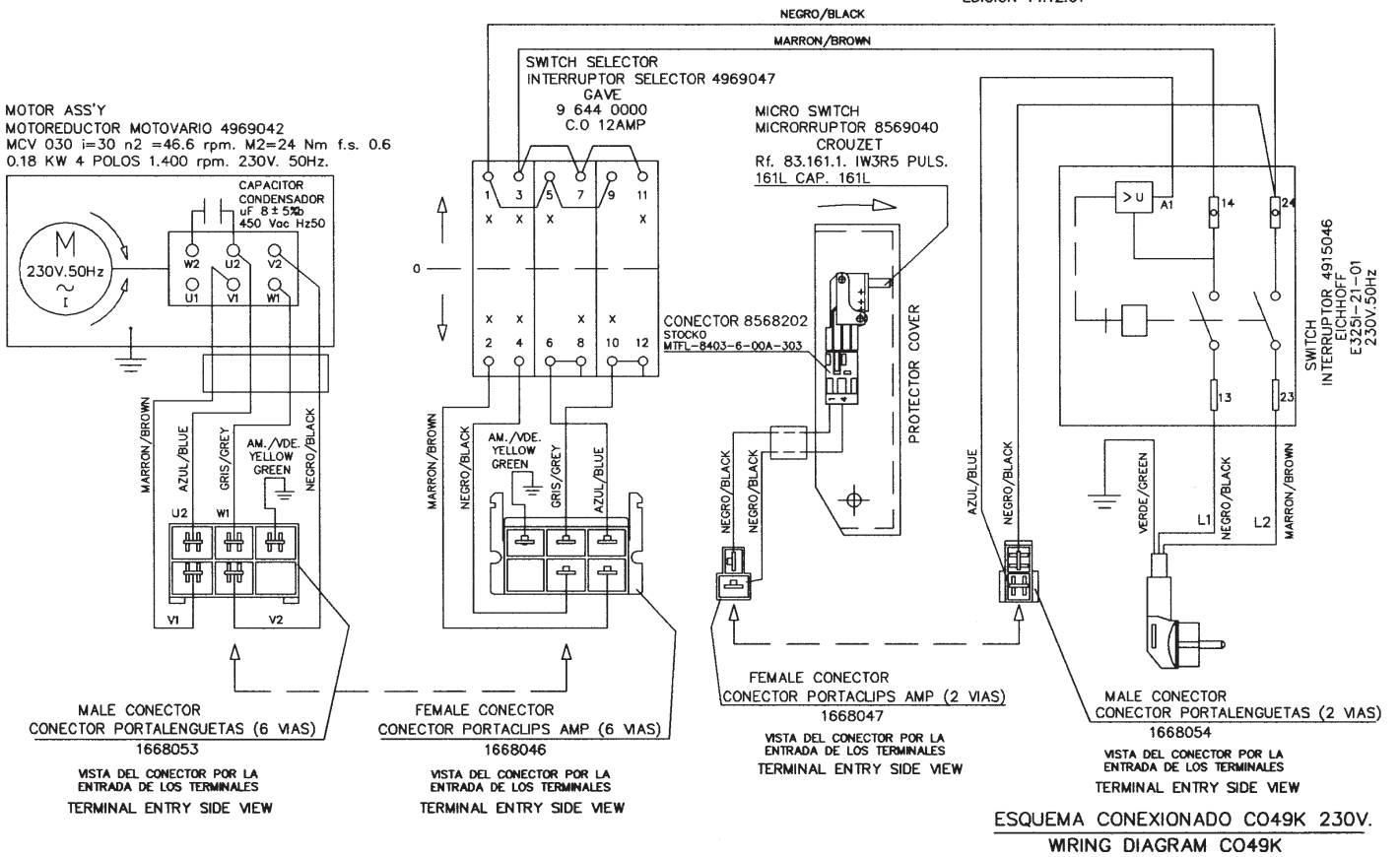










4996294 - HOJA ESQUEMA CONEXIONADO CO49K 230V.
 EDICION 14.12.01

 4996295 - HOJA ESQUEMA CONEXIONADO CO49K 110V.
 EDICION 14.12.01
